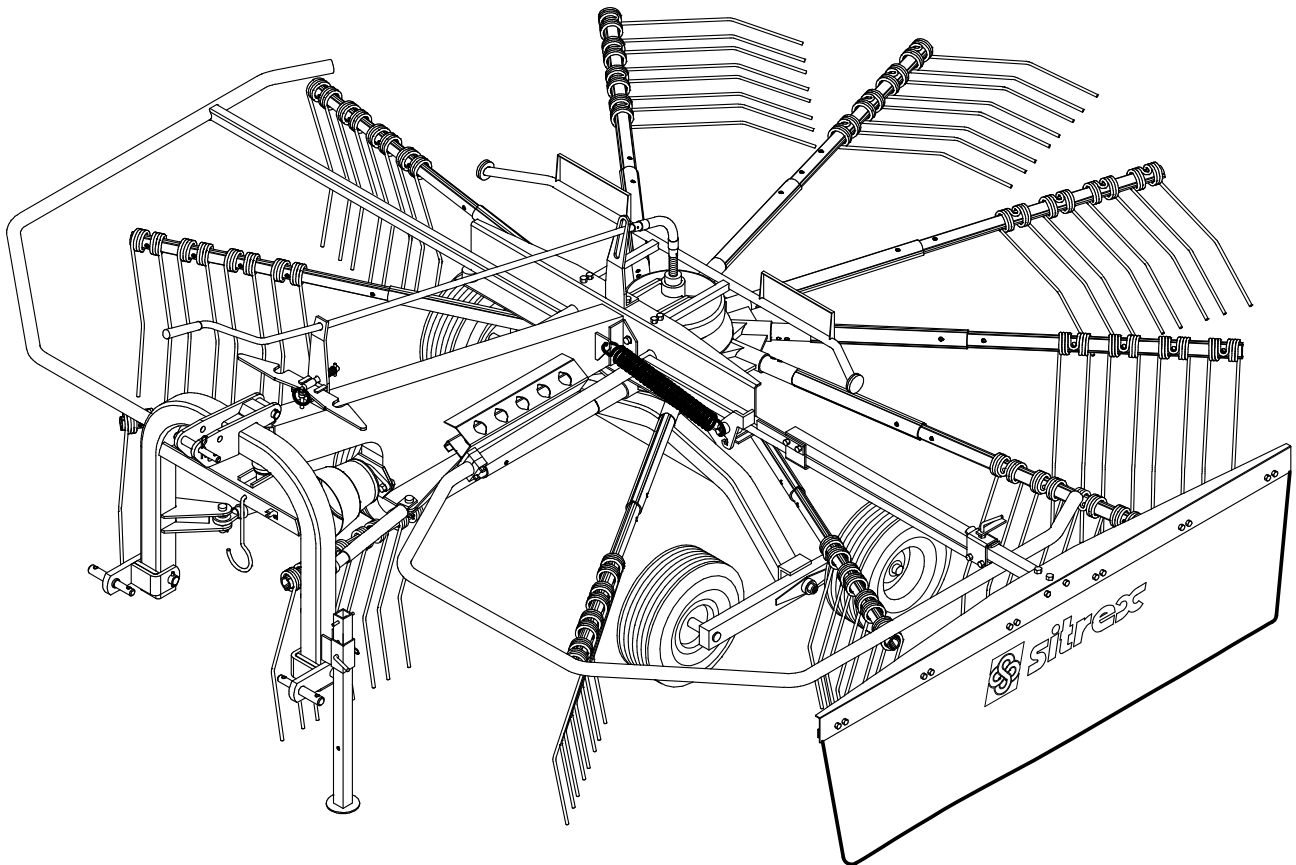


AGRICULTURAL MACHINERY

sitrex®
Spa

SPARE PARTS LIST



SPARE PARTS LIST

FOR CORRECT SPARE PARTS ORDER IT IS NECESSARY TO SPECIFY:

TABLE NUMBER, ITEM, PART NO, DESCRIPTION AND QUANTITY OF PARTS REQUIRED.

ITEMS DESCRIBED AS RH AND LH ARE MEANT FACING REAR OF MACHINE.

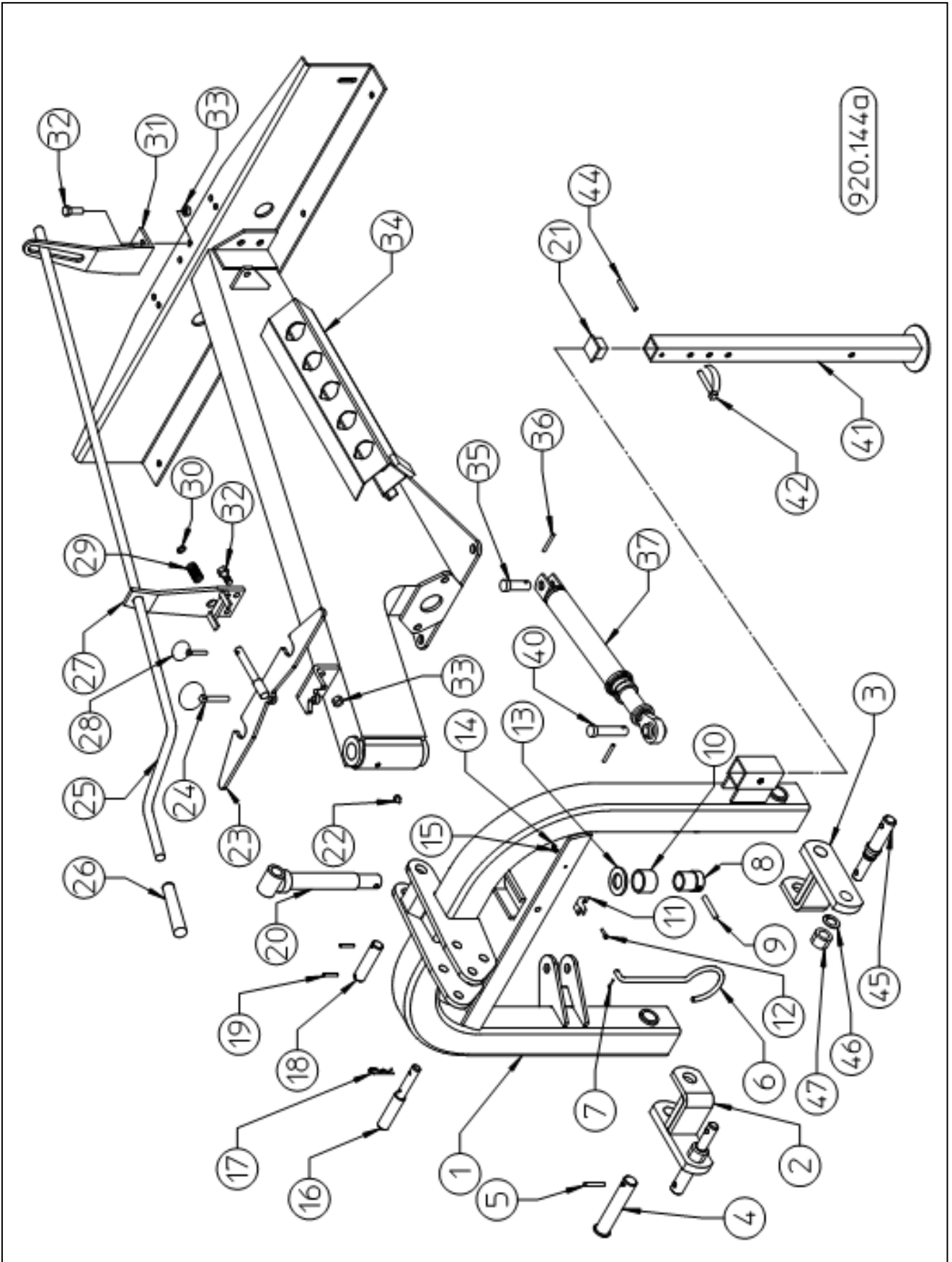
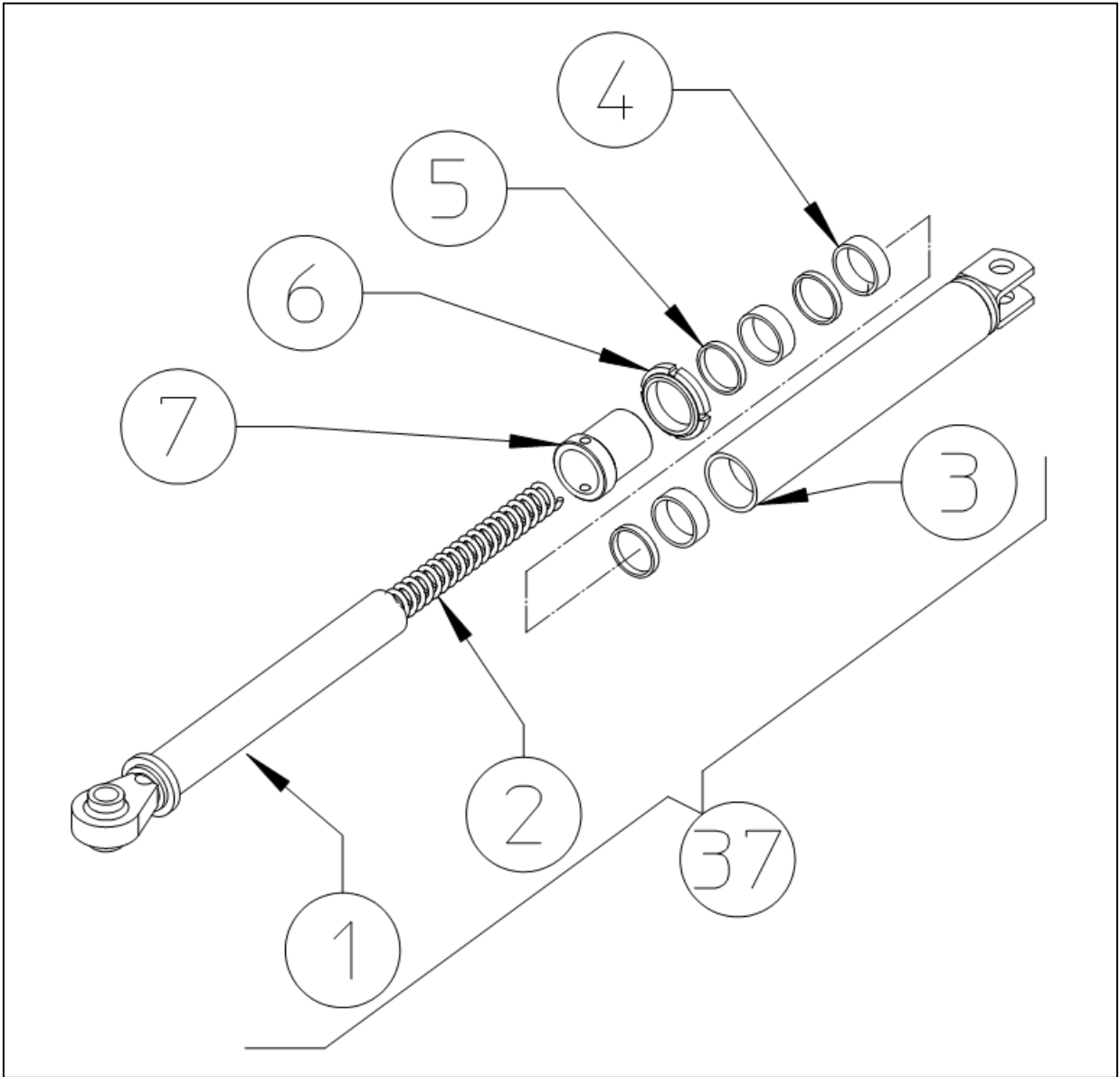


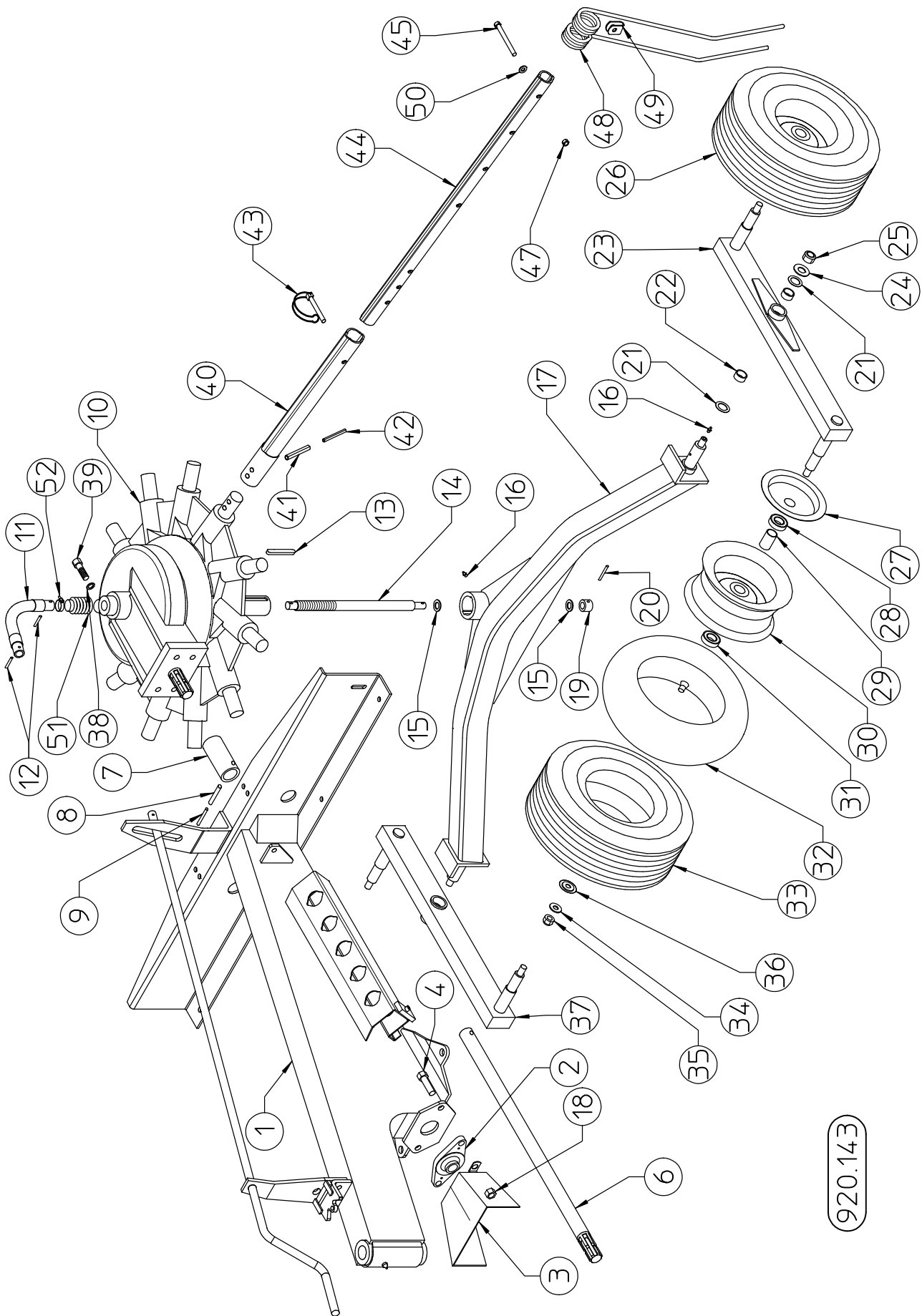
TABLE NO. 920.144/a

420/11

| ITEM | Q.ty | PART/NO | DESCRIPTION | NOTE |
|------|------|-----------|-----------------------------|------|
| 1 | 1 | 220.338 | 3PT HITCH | |
| 2 | 1 | 210.814 | R.H. LOWER LINK | |
| 3 | 1 | 210.815 | L.H. LOWER LINK | |
| 4 | 2 | 210.483/a | PIN | |
| 5 | 2 | 600.027 | SPRING PIN | |
| 6 | 1 | 200.991 | CARDAN SUPPORT | |
| 7 | 1 | 600.841 | SPRING PIN | |
| 8 | 1 | 210.529 | BUSH | |
| 9 | 1 | 600.584 | SPRING PIN | |
| 10 | 1 | 210.492 | BUSH | |
| 11 | 1 | 200.992 | CLIP | |
| 12 | 1 | 600.833 | SCREW | |
| 13 | 1 | 210.530 | WASHER | |
| 14 | 1 | 600.836 | NUT | |
| 15 | 1 | 600.839 | WASHER | |
| 16 | 1 | 200.343 | PIN | |
| 17 | 1 | 600.308 | SPLIT PIN | |
| 18 | 1 | 210.560 | PIN | |
| 19 | 2 | 600.538 | SPRING PIN | |
| 20 | 1 | 210.489 | PIN | |
| 21 | 1 | 600.817 | PLUG | |
| 22 | 1 | 600.124 | GREASE NIPPLE | |
| 23 | 1 | 210.504/a | RATCHET | |
| 24 | 1 | 600.017 | PIN | |
| 25 | 1 | 210.503 | CRANK | |
| 26 | 1 | 610.284 | HANDLE | |
| 27 | 1 | 210.505 | CONNECTING PLATE FOR HANDLE | |
| 28 | 1 | 600.723 | PIN | |
| 29 | 1 | 210.558 | SPRING | |
| 30 | 1 | 600.031 | WASHER | |
| 31 | 1 | 210.506 | SUPPORT | |
| 32 | 4 | 600.004 | SCREW | |
| 33 | 4 | 600.077 | NUT | |
| 34 | 1 | 220.011 | DRAWBAR | |
| 35 | 2 | 210.488 | PIN | |
| 36 | 4 | 600.773 | SPRING PIN | |
| 37 | 2 | 230.475 | STABILIZING | |
| 38 | | | | |
| 39 | | | | |
| 40 | 2 | 210.487 | PIN | |
| 41 | 1 | 220.495 | JACK STAND | |
| 42 | 1 | 600.842 | PIN | |
| 44 | 1 | 600.027 | SPRING PIN | |
| 45 | 2 | 210.813 | SPRING PIN | |
| 46 | 2 | 600.246 | WASHER | |
| 47 | 2 | 600.244 | NUT | |



| TABLE NO. 230.475 | | | | |
|-------------------|------|---------|-------------|------|
| 420/11 - 530/13 | | | | |
| ITEM | Q.ty | PART/NO | DESCRIPTION | NOTE |
| 1 | 1 | 230.477 | ROD | |
| 2 | 1 | 210.432 | SPRING | |
| 3 | 1 | 230.476 | TUBE | |
| 4 | 3 | 230.479 | BUSH RUBBER | |
| 5 | 3 | 230.480 | BUSH | |
| 6 | 1 | 630.535 | NUT | |
| 7 | 1 | 230.478 | NUT TUBE | |
| 37 | 1 | 230.475 | STABILIZING | |



920.143

| TABLE NO. 920.143 | | | | |
|-------------------|------|-----------|---------------------|------|
| 420/11 | | | | |
| ITEM | Q.ty | PART/NO | DESCRIPTION | NOTE |
| 1 | 1* | 220.011 | DRAWBAR | |
| 2 | 1 | 610.285 | BEARING | |
| 3 | 1 | 210.817 | HOOD | |
| 4 | 2 | 610.167 | SCREW | |
| | | | | |
| 6 | 1 | 220.012 | SHAFT | |
| 7 | 1 | 210.528 | BUSH | |
| 8 | 2 | 610.417 | SPRING PIN | |
| 9 | 1 | 610.419 | SPRING PIN | |
| 10 | 1 | 610.487 | GEARBOX | |
| 11 | 1 | 210.499/a | HOSE | |
| 12 | 2 | 610.502 | SPRING PIN | |
| 13 | 2 | 610.418 | LATCH | |
| 14 | 1 | 220.013 | SCREW | |
| 15 | 2 | 210.658 | SHIM | |
| 16 | 3 | 600.124 | GREASE NIPPLE | |
| 17 | 1 | 210.496 | TRAVERSE | |
| 18 | 2 | 600.080 | NUT | |
| 19 | 1 | 210.659 | BUSH | |
| 20 | 1 | 600.108 | SPRING PIN | |
| 21 | 6 | 200.273 | SHIM | |
| 22 | 4 | 600.808 | BUSHING | |
| 23 | 1 | 210.497 | TANDEM ARM | |
| 24 | 2 | 200.165 | WASHER | |
| 25 | 2 | 600.079 | NUT | |
| 26 | 2 | 610.272 | TYRE ASSY | |
| 27 | 2 | 210.596 | DUST COVER, INNER | |
| 28 | 2 | 600.602 | BEARING | |
| 29 | 2 | 200.415 | SPACER | |
| 30 | 2 | 610.273 | RIM | |
| 31 | 2 | 600.602 | BEARING | |
| 32 | 2 | 610.274 | TUBE | |
| 33 | 2 | 610.275 | TYRE | |
| 34 | 4 | 600.031 | WASHER | |
| 35 | 2 | 600.629 | NUT | |
| 36 | 2 | 200.416 | DUST COVER, OUTER | |
| 37 | 1 | 210.497 | TANDEM ARM | |
| 38 | 4 | 600.086 | WASHER | |
| 39 | 4 | 600.310 | SCREW | |
| 40 | 11 | 210.494 | PROFILE TUBE | |
| 41 | 22 | 610.417 | SPRING PIN | |
| 42 | 22 | 610.419 | SPRING PIN | |
| 43 | 11 | 600.842 | PIN | |
| 44 | 11 | 210.767 | TINE ARM | |
| 45 | 44 | 600.530 | SCREW | |
| 47 | 44 | 600.077 | NUT | |
| 48 | 44 | 210.495 | TINE | |
| 49 | 44 | 200.349/a | TINE LOCK, FLEXIBLE | |
| 50 | 44 | 500.012 | WASHER | |
| 51 | 1 | 610.286 | PROTECTION | |
| 52 | 1 | 610.507 | HOSE CLAMPS | |
| | | | | |

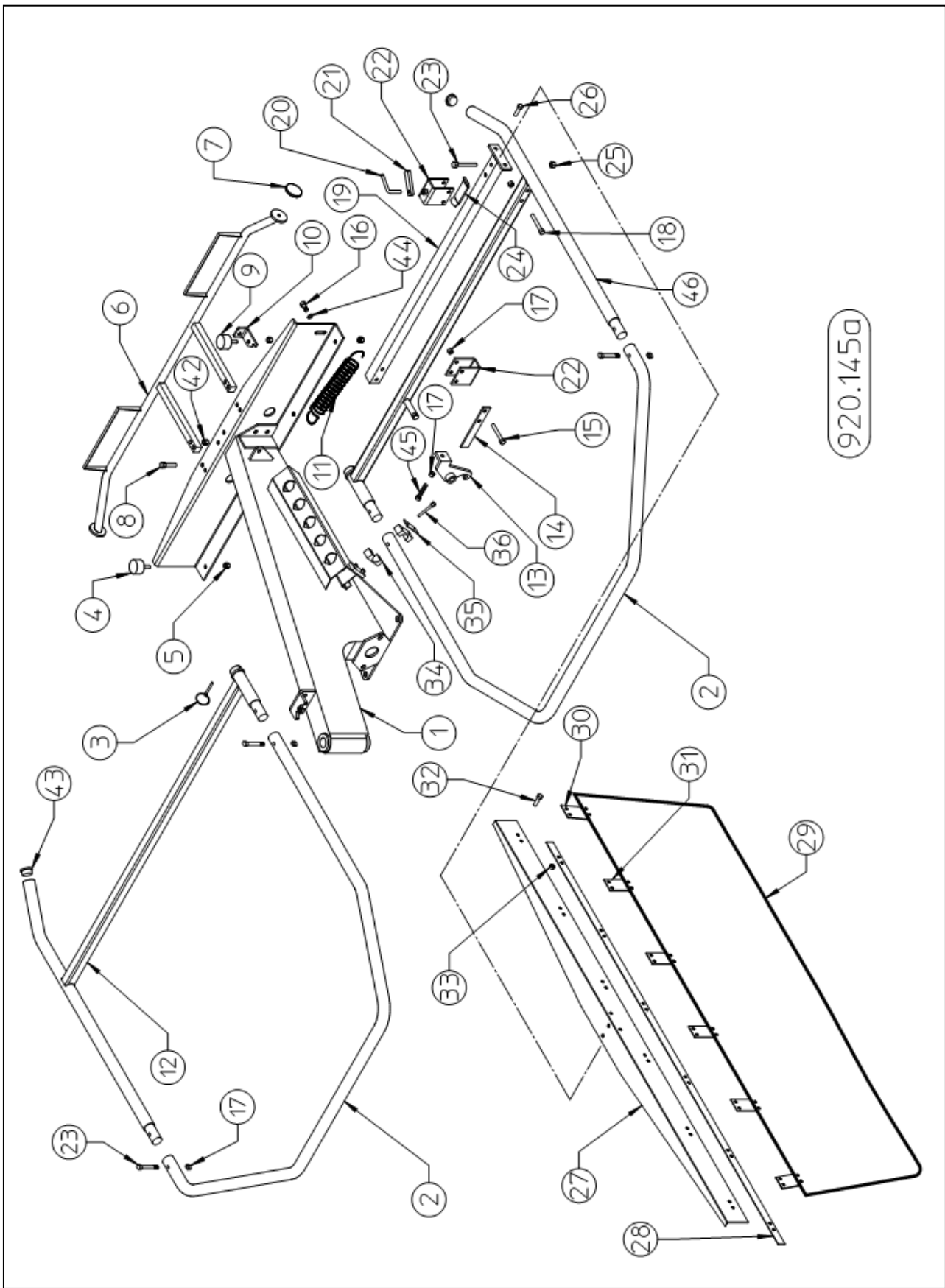
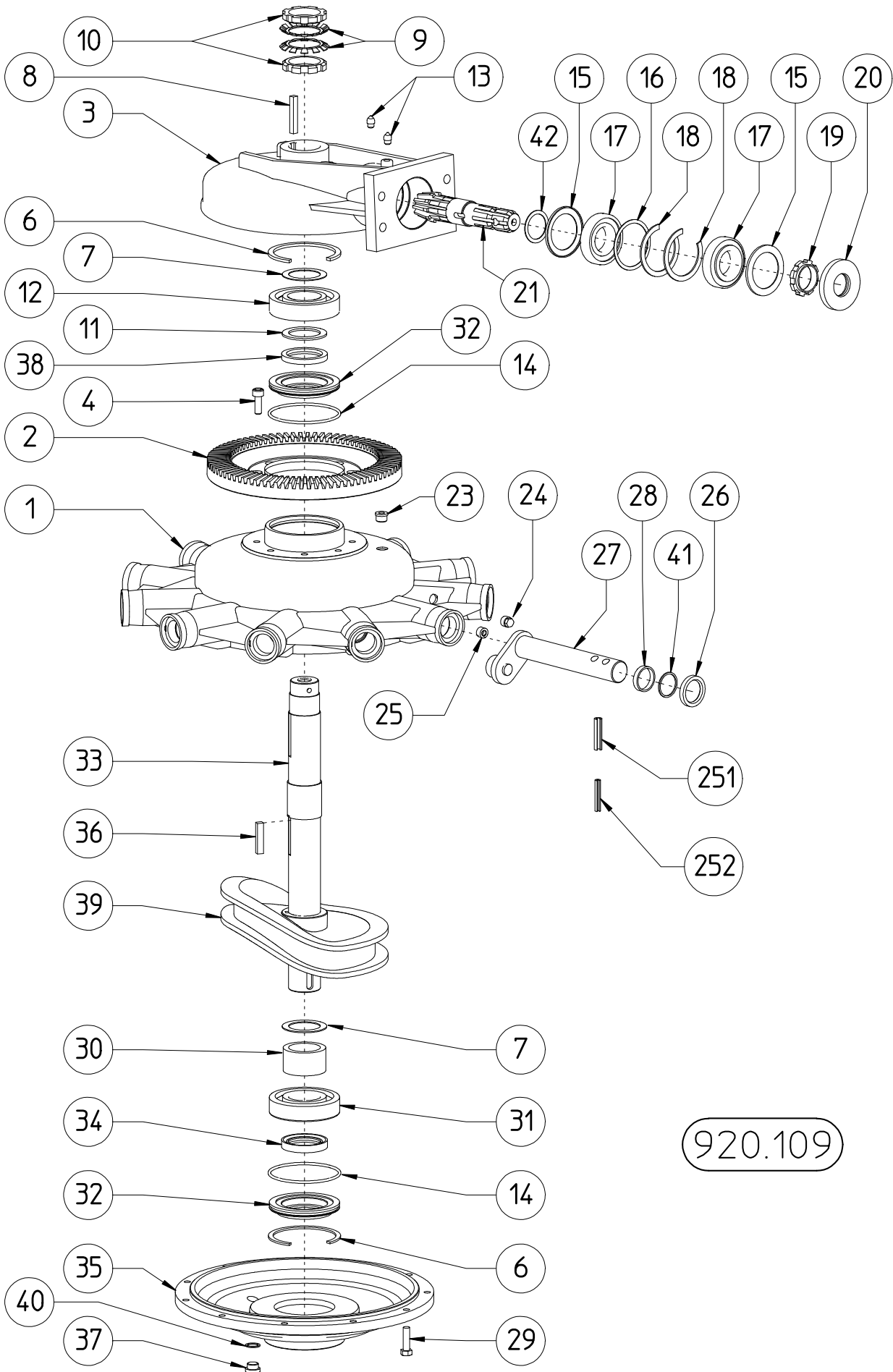


TABLE NO. 920.145

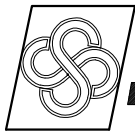
420/11

| ITEM | Q.ty | PART/NO | DESCRIPTION | NOTE |
|------|------|---------|--------------------|------|
| 1 | 1* | 220.011 | DRAWBAR | |
| 2 | 1 | 220.623 | GUARD | |
| 3 | 2 | 610.186 | PIN | |
| 4 | 1 | 610.521 | RUBBER PAD | |
| 5 | 8 | 600.008 | NUT | |
| 6 | 1 | 210.511 | LIGHTING BRACKET | |
| 7 | 2 | 610.289 | REFLECTOR | |
| 8 | 4 | 600.154 | SCREW | |
| 9 | 3 | 610.283 | RUBBER PAD | |
| 10 | 1 | 210.615 | CLAMP | |
| 11 | 1 | 210.557 | SPRING | |
| 12 | 1 | 220.622 | R.H. SUPPORT | |
| 13 | 1 | 210.554 | HOOK | |
| 14 | 1 | 210.553 | PLATE | |
| 15 | 2 | 600.726 | SCREW | |
| 16 | 1 | 600.770 | SCREW | |
| 17 | 4 | 600.029 | NUT | |
| 18 | 2 | 610.500 | SCREW | |
| 19 | 1 | 220.624 | TELESCOPING TUBE | |
| 20 | 1 | 210.502 | PIN | |
| 21 | 1 | 210.552 | NUT | |
| 22 | 2 | 210.498 | U-BRACKET | |
| 23 | 2 | 600.437 | SCREW | |
| 24 | 1 | 210.512 | PLATE | |
| 25 | 2 | 600.029 | NUT | |
| 26 | 2 | 600.006 | SCREW | |
| 27 | 1 | 210.508 | SWATHING SUPPORT | |
| 28 | 1 | 210.509 | CLAMPING STRAP | |
| 29 | 1 | 210.510 | SWATHING DEFLECTOR | |
| 30 | 2 | 210.556 | CLAMPING STRAP | |
| 31 | 4 | 210.555 | CLAMPING STRAP | |
| 32 | 12 | 600.223 | SCREW | |
| 33 | 12 | 600.076 | NUT | |
| 34 | 4 | 610.332 | HOSE COLLAR | |
| 35 | 2 | 610.491 | HOSE COLLAR | |
| 36 | 4 | 610.333 | SCREW | |
| 37 | | | | |
| 38 | | | | |
| 39 | | | | |
| 40 | | | | |
| 41 | | | | |
| 42 | 4 | 600.077 | NUT | |
| 43 | 2 | 610.501 | PLUG | |
| 44 | 1 | 600.089 | WASHER | |
| 45 | 1 | 610.499 | SCREW | |
| 46 | 1 | 220.621 | L.H. SUPPORT | |



920.109

| TABLE NO 920.109 | | | | |
|-------------------------|----------------|-------------|--------------------|-------------|
| ITEM | PART NO | Q.ty | DESCRIPTION | NOTE |
| 1 | 220.732 | 1 | GEAR BOX | |
| 2 | 220.721 | 1 | GEAR | |
| 3 | 220.722 | 1 | CAP | |
| 4 | 220.723 | 8 | SCREW | |
| 6 | 620.177 | 2 | SNAP RING | |
| 7 | 220.724 | 3 | SHIM | |
| 8 | 620.178 | 1 | LATCH | |
| 9 | 620.179 | 2 | WASHER | |
| 10 | 620.180 | 2 | NUT | |
| 11 | 220.733 | 1 | SHIM | |
| 12 | 620.127 | 1 | BEARING | |
| 13 | 620.182 | 2 | GREASE NIPPLE | |
| 14 | 620.163 | 2 | GASKET | |
| 15 | 620.140 | 2 | DUST COVER | |
| 16 | 220.726 | 1 | SHIM | |
| 17 | 620.181 | 2 | BEARING | |
| 18 | 620.148 | 2 | SNAP RING | |
| 19 | 220.727 | 1 | REGISTER NUT | |
| | | | | |
| 21 | 220.715 | 1 | PINION | |
| 23 | 620.151 | 1 | PLUG | |
| 24 | 620.183 | 1 | PLUG | |
| 25 | 620.184 | 1 | PLUG | |
| 26 | 620.162 | 11 | DUST COVER | |
| 27 | 220.720 | 11 | ARM | |
| 28 | 220.707 | 11 | SPACER | |
| 29 | 220.731 | 11 | SCREW | |
| 30 | 220.717 | 1 | SPACER | |
| 31 | 620.185 | 1 | BEARING | |
| 32 | 220.712 | 2 | DUST COVER SUPPORT | |
| 33 | 220.713 | 1 | SHAFT | |
| 34 | 620.158 | 1 | DUST COVER | |
| 35 | 220.728 | 1 | CAP | |
| 36 | 620.178 | 1 | LATCH | |
| 37 | 620.153 | 1 | PLUG | |
| 38 | 620.157 | 1 | DUST COVER | |
| 39 | 220.711 | 1 | CAM | |
| 40 | 620.175 | 1 | WASHER | |
| 41 | 220.718 | 11 | SHIM | |
| 42 | 220.729 | 1 | SHIM | |
| 251 | 620.142 | 22 | SPRING PIN | |
| 252 | 620.144 | 22 | SPRING PIN | |



AGRICULTURAL MACHINERY
sitrex® Spa

Zona Industriale-Viale Grecia, 8
06018 TRESTINA-(Perugia)-ITALY
Tel. +39.075.8540021-Telefax +39.075.8540523
e-mail: sitrex@sitrex.it www.sitrex.com

