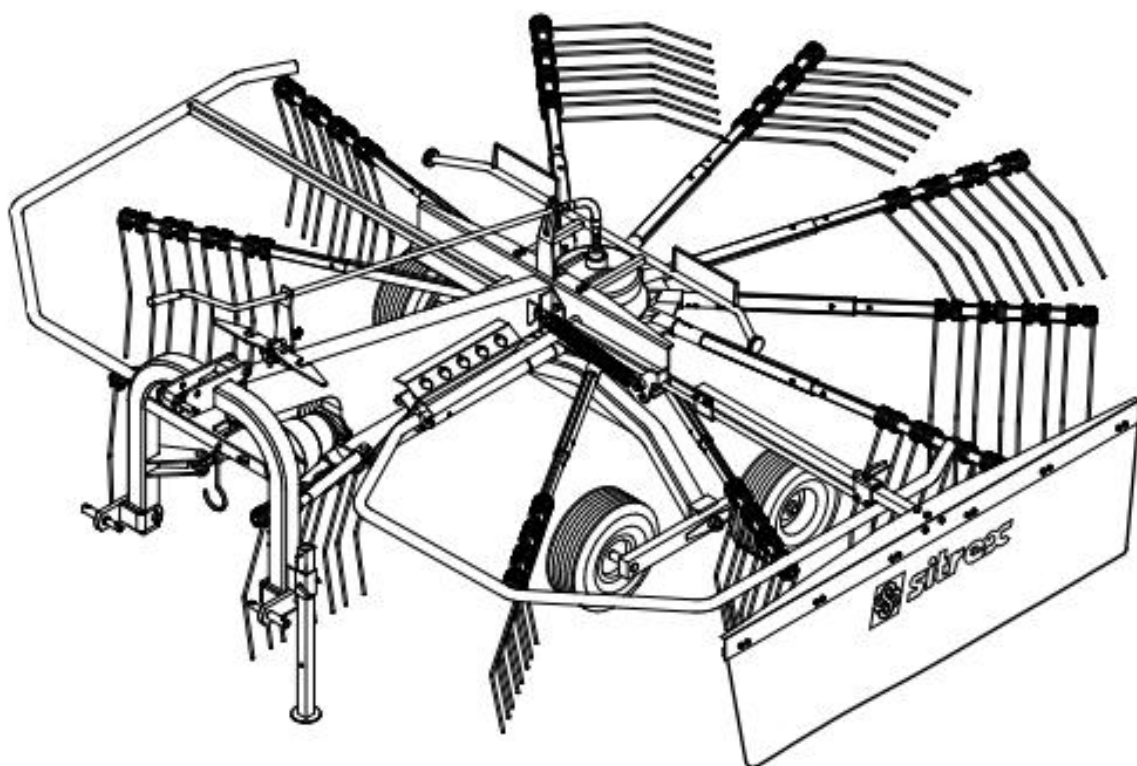




SPARE PARTS LIST



SR 420/11

2010_amm.rinf

SPARE PARTS LIST

FOR CORRECT SPARE PARTS ORDER IT IS NECESSARY TO SPECIFY:

TABLE NUMBER, ITEM, PART NO, DESCRIPTION AND QUANTITY OF PARTS REQUIRED.

ITEMS DESCRIBED AS RH AND LH ARE MEANT FACING REAR OF MACHINE.

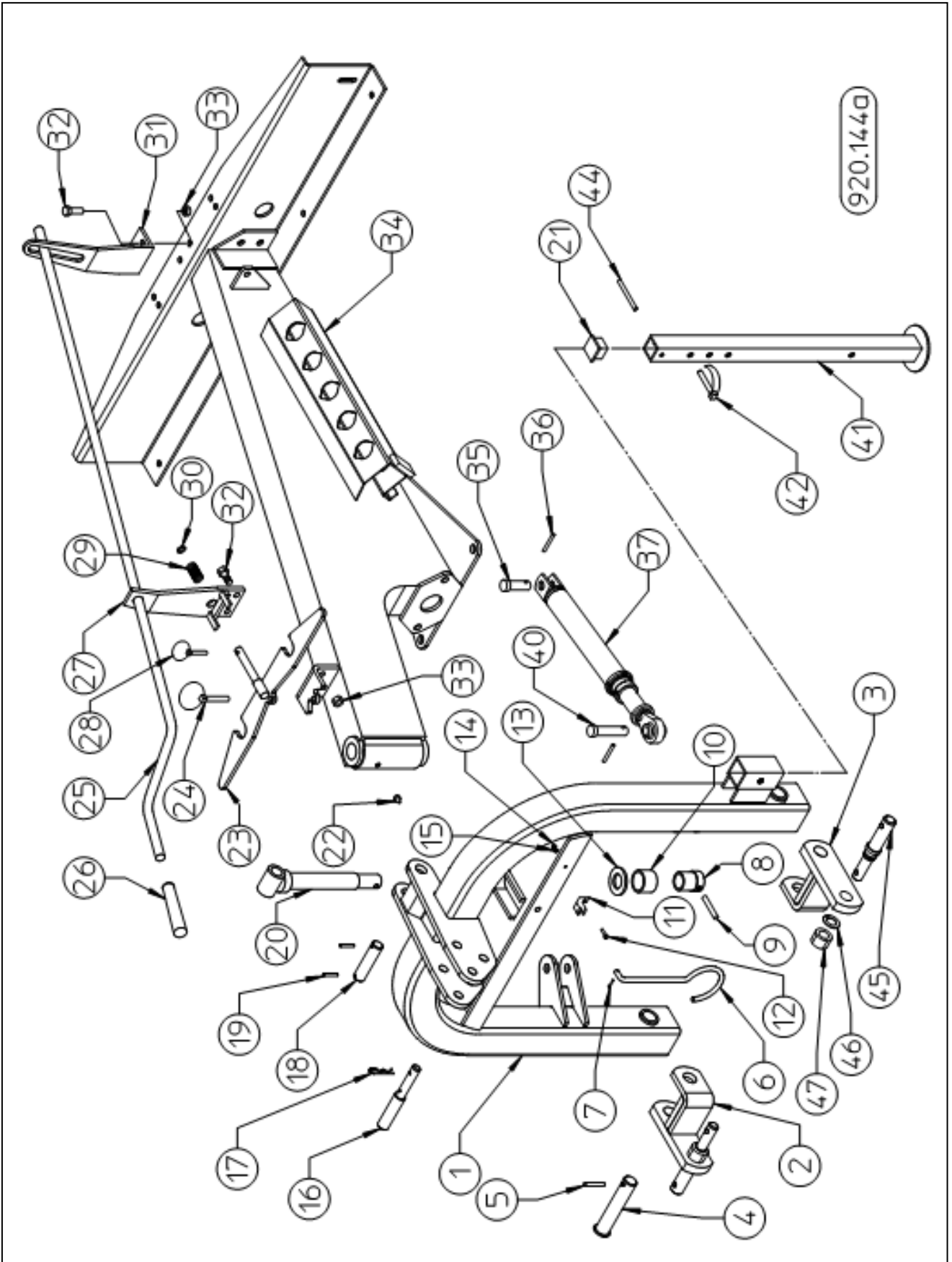


TABLE NO. 920.144/a

420/11

ITEM	Q.ty	PART/NO	DESCRIPTION	NOTE
1	1	220.338	3PT HITCH	
2	1	210.814	R.H. LOWER LINK	
3	1	210.815	L.H. LOWER LINK	
4	2	210.483/a	PIN	
5	2	600.027	SPRING PIN	
6	1	200.991	CARDAN SUPPORT	
7	1	600.841	SPRING PIN	
8	1	210.529	BUSH	
9	1	600.584	SPRING PIN	
10	1	210.492	BUSH	
11	1	200.992	CLIP	
12	1	600.833	SCREW	
13	1	210.530	WASHER	
14	1	600.836	NUT	
15	1	600.839	WASHER	
16	1	200.343	PIN	
17	1	600.308	SPLIT PIN	
18	1	210.560	PIN	
19	2	600.538	SPRING PIN	
20	1	210.489	PIN	
21	1	600.817	PLUG	
22	1	600.124	GREASE NIPPLE	
23	1	210.504/a	RATCHET	
24	1	600.017	PIN	
25	1	210.503	CRANK	
26	1	610.284	HANDLE	
27	1	210.505	CONNECTING PLATE FOR HANDLE	
28	1	600.723	PIN	
29	1	210.558	SPRING	
30	1	600.031	WASHER	
31	1	210.506	SUPPORT	
32	4	600.004	SCREW	
33	4	600.077	NUT	
34	1	220.011	DRAWBAR	
35	2	210.488	PIN	
36	4	600.773	SPRING PIN	
37	2	230.475	STABILIZING	
38				
39				
40	2	210.487	PIN	
41	1	220.495	JACK STAND	
42	1	600.842	PIN	
44	1	600.027	SPRING PIN	
45	2	210.813	SPRING PIN	
46	2	600.246	WASHER	
47	2	600.244	NUT	

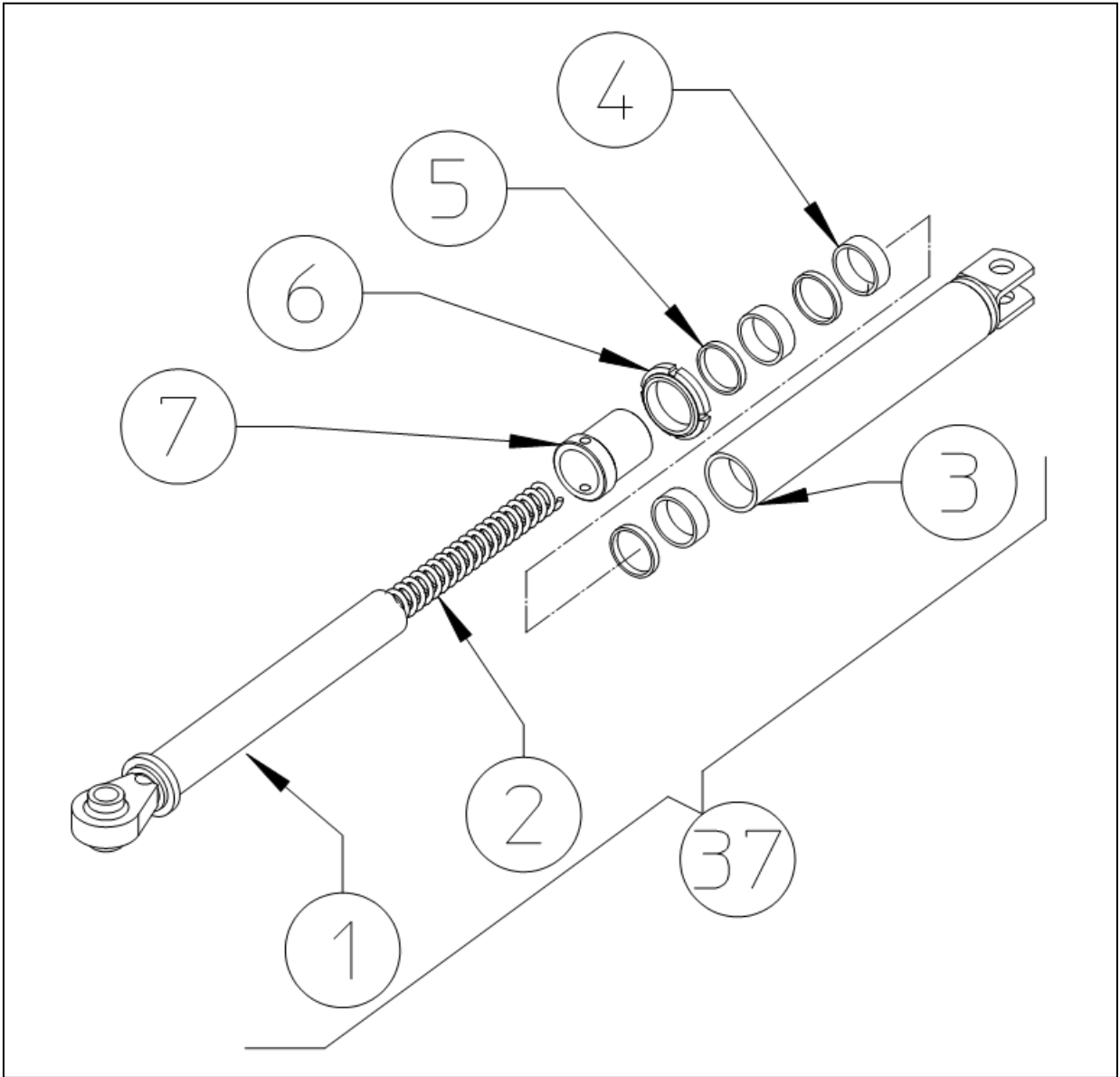
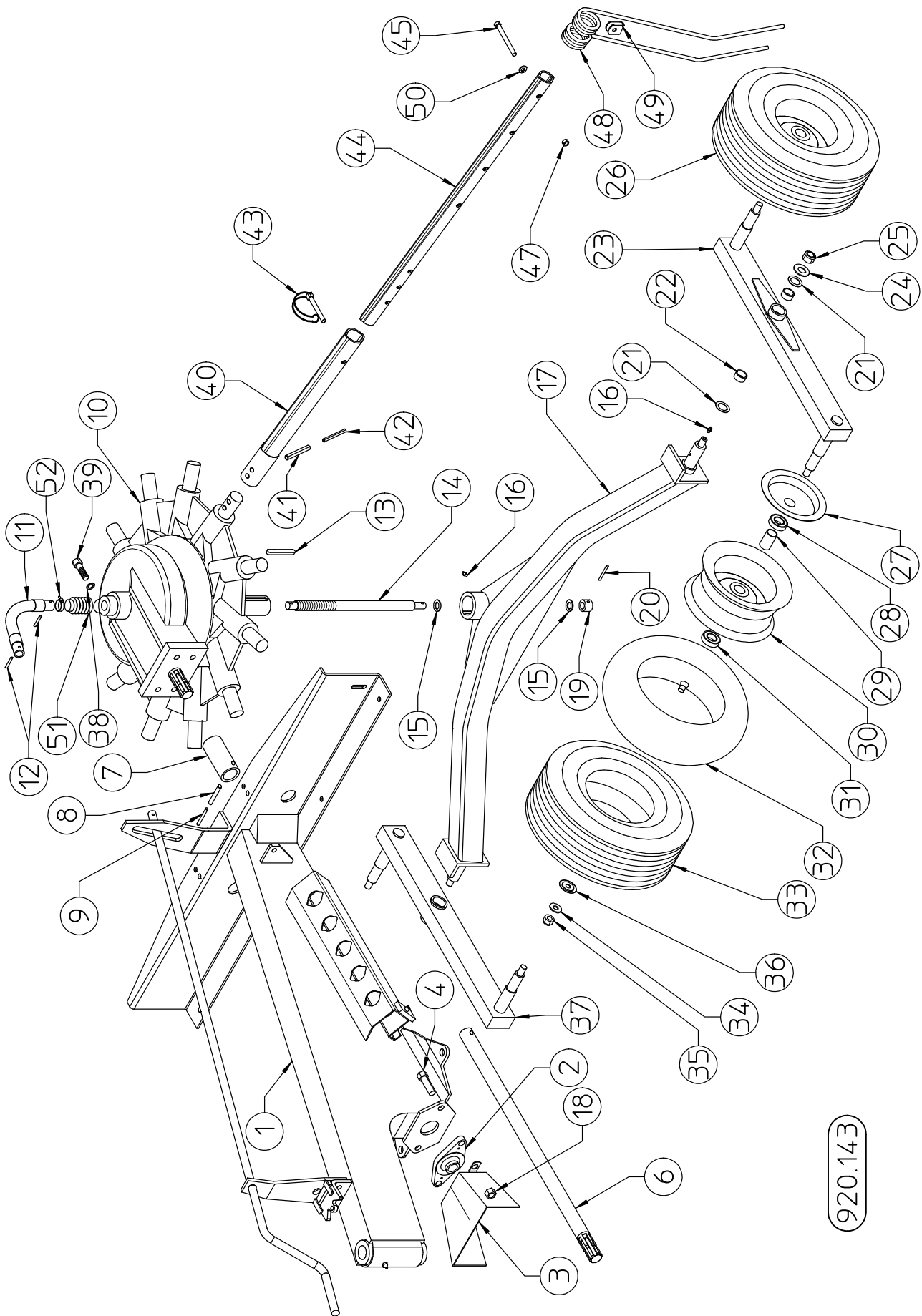


TABLE NO. 230.475				
420/11 - 530/13				
ITEM	Q.ty	PART/NO	DESCRIPTION	NOTE
1	1	230.477	ROD	
2	1	210.432	SPRING	
3	1	230.476	TUBE	
4	3	230.479	BUSH RUBBER	
5	3	230.480	BUSH	
6	1	630.535	NUT	
7	1	230.478	NUT TUBE	
37	1	230.475	STABILIZING	



920.143

TABLE NO. 920.143				
420/11				
ITEM	Q.ty	PART/NO	DESCRIPTION	NOTE
1	1*	220.011	DRAWBAR	
2	1	610.285	BEARING	
3	1	210.817	HOOD	
4	2	610.167	SCREW	
6	1	220.012	SHAFT	
7	1	210.528	BUSH	
8	2	610.417	SPRING PIN	
9	1	610.419	SPRING PIN	
10	1	610.487	GEARBOX	
11	1	210.499/a	HOSE	
12	2	610.502	SPRING PIN	
13	2	610.418	LATCH	
14	1	220.013	SCREW	
15	2	210.658	SHIM	
16	3	600.124	GREASE NIPPLE	
17	1	210.496	TRAVERSE	
18	2	600.080	NUT	
19	1	210.659	BUSH	
20	1	600.108	SPRING PIN	
21	6	200.273	SHIM	
22	4	600.808	BUSHING	
23	1	210.497	TANDEM ARM	
24	2	200.165	WASHER	
25	2	600.079	NUT	
26	2	610.272	TYRE ASSY	
27	2	210.596	DUST COVER, INNER	
28	2	600.602	BEARING	
29	2	200.415	SPACER	
30	2	610.273	RIM	
31	2	600.602	BEARING	
32	2	610.274	TUBE	
33	2	610.275	TYRE	
34	4	600.031	WASHER	
35	2	600.629	NUT	
36	2	200.416	DUST COVER, OUTER	
37	1	210.497	TANDEM ARM	
38	4	600.086	WASHER	
39	4	600.310	SCREW	
40	11	210.494	PROFILE TUBE	
41	22	610.417	SPRING PIN	
42	22	610.419	SPRING PIN	
43	11	600.842	PIN	
44	11	210.767	TINE ARM	
45	44	600.530	SCREW	
47	44	600.077	NUT	
48	44	210.495	TINE	
49	44	200.349/a	TINE LOCK, FLEXIBLE	
50	44	500.012	WASHER	
51	1	610.286	PROTECTION	
52	1	610.507	HOSE CLAMPS	

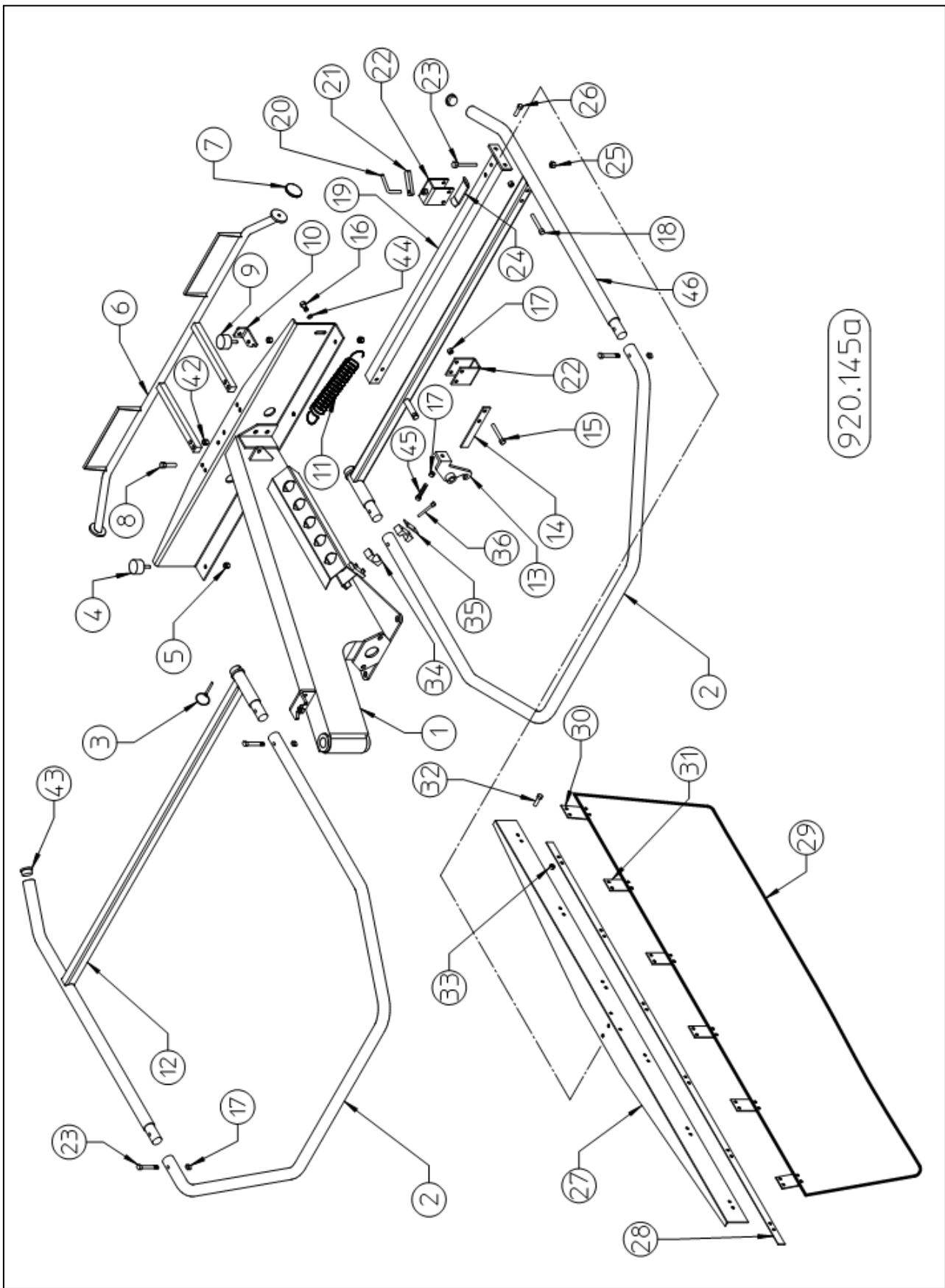
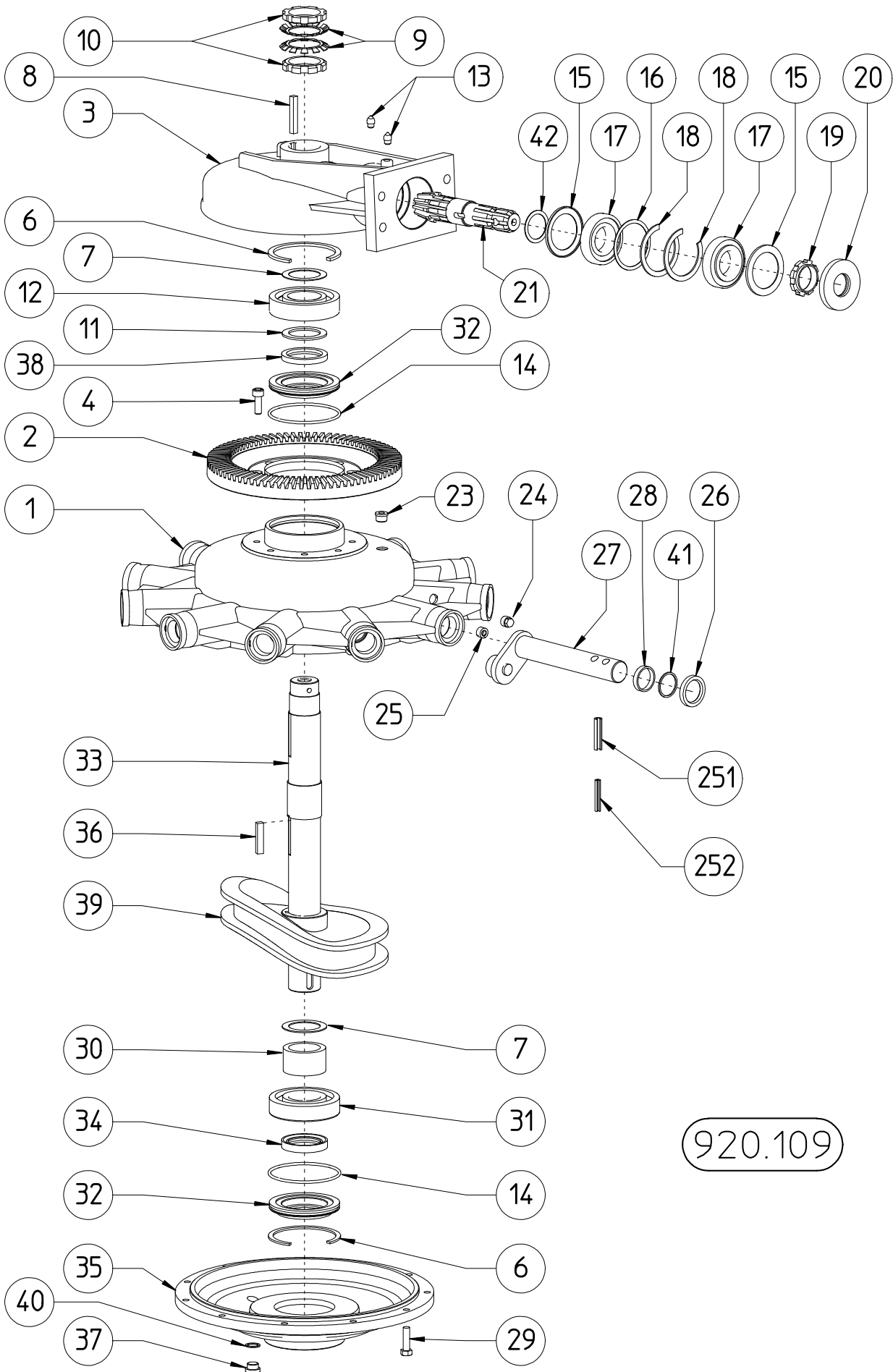


TABLE NO. 920.145

420/11

ITEM	Q.ty	PART/NO	DESCRIPTION	NOTE
1	1*	220.011	DRAWBAR	
2	1	220.623	GUARD	
3	2	610.186	PIN	
4	1	610.521	RUBBER PAD	
5	8	600.008	NUT	
6	1	210.511	LIGHTING BRACKET	
7	2	610.289	REFLECTOR	
8	4	600.154	SCREW	
9	3	610.283	RUBBER PAD	
10	1	210.615	CLAMP	
11	1	210.557	SPRING	
12	1	220.622	R.H. SUPPORT	
13	1	210.554	HOOK	
14	1	210.553	PLATE	
15	2	600.726	SCREW	
16	1	600.770	SCREW	
17	4	600.029	NUT	
18	2	610.500	SCREW	
19	1	220.624	TELESCOPING TUBE	
20	1	210.502	PIN	
21	1	210.552	NUT	
22	2	210.498	U-BRACKET	
23	2	600.437	SCREW	
24	1	210.512	PLATE	
25	2	600.029	NUT	
26	2	600.006	SCREW	
27	1	210.508	SWATHING SUPPORT	
28	1	210.509	CLAMPING STRAP	
29	1	210.510	SWATHING DEFLECTOR	
30	2	210.556	CLAMPING STRAP	
31	4	210.555	CLAMPING STRAP	
32	12	600.223	SCREW	
33	12	600.076	NUT	
34	4	610.332	HOSE COLLAR	
35	2	610.491	HOSE COLLAR	
36	4	610.333	SCREW	
37				
38				
39				
40				
41				
42	4	600.077	NUT	
43	2	610.501	PLUG	
44	1	600.089	WASHER	
45	1	610.499	SCREW	
46	1	220.621	L.H. SUPPORT	



920.109

TABLE NO 920.109				
ITEM	PART NO	Q.ty	DESCRIPTION	NOTE
1	220.732	1	GEAR BOX	
2	220.721	1	GEAR	
3	220.722	1	CAP	
4	220.723	8	SCREW	
6	620.177	2	SNAP RING	
7	220.724	3	SHIM	
8	620.178	1	LATCH	
9	620.179	2	WASHER	
10	620.180	2	NUT	
11	220.733	1	SHIM	
12	620.127	1	BEARING	
13	620.182	2	GREASE NIPPLE	
14	620.163	2	GASKET	
15	620.140	2	DUST COVER	
16	220.726	1	SHIM	
17	620.181	2	BEARING	
18	620.148	2	SNAP RING	
19	220.727	1	REGISTER NUT	
21	220.715	1	PINION	
23	620.151	1	PLUG	
24	620.183	1	PLUG	
25	620.184	1	PLUG	
26	620.162	11	DUST COVER	
27	220.720	11	ARM	
28	220.707	11	SPACER	
29	220.731	11	SCREW	
30	220.717	1	SPACER	
31	620.185	1	BEARING	
32	220.712	2	DUST COVER SUPPORT	
33	220.713	1	SHAFT	
34	620.158	1	DUST COVER	
35	220.728	1	CAP	
36	620.178	1	LATCH	
37	620.153	1	PLUG	
38	620.157	1	DUST COVER	
39	220.711	1	CAM	
40	620.175	1	WASHER	
41	220.718	11	SHIM	
42	220.729	1	SHIM	
251	620.142	22	SPRING PIN	
252	620.144	22	SPRING PIN	



AGRICULTURAL MACHINERY
sitrex® Spa

Zona Industriale-Viale Grecia, 8
06018 TRESTINA-(Perugia)-ITALY
Tel. +39.075.8540021-Telefax +39.075.8540523
e-mail: sitrex@sitrex.it www.sitrex.com

