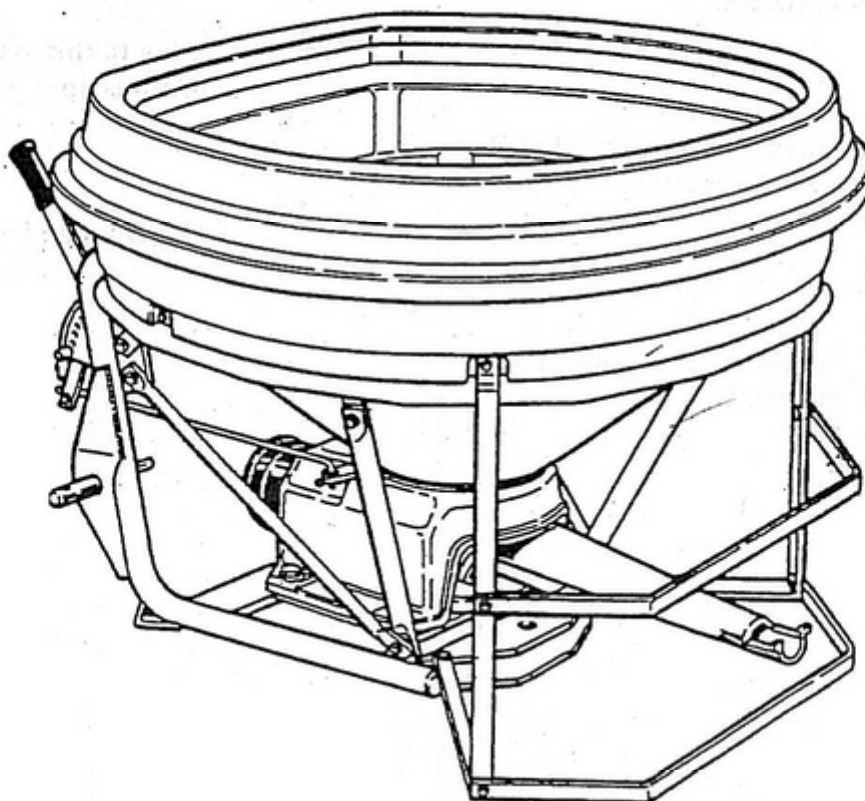




AGRICULTURAL MACHINERY

**sitrex**<sup>srl</sup>

**ASSEMBLY, USE AND MAINTENANCE  
SPARE PARTS LIST**



**SWINGING FERTILIZER  
SPREADER**

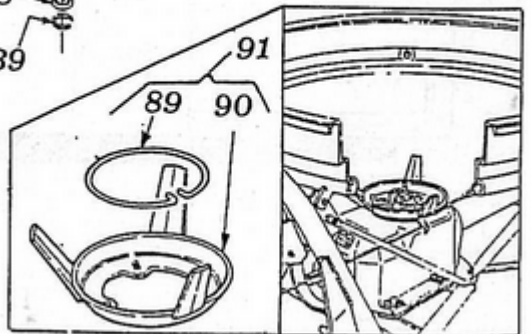
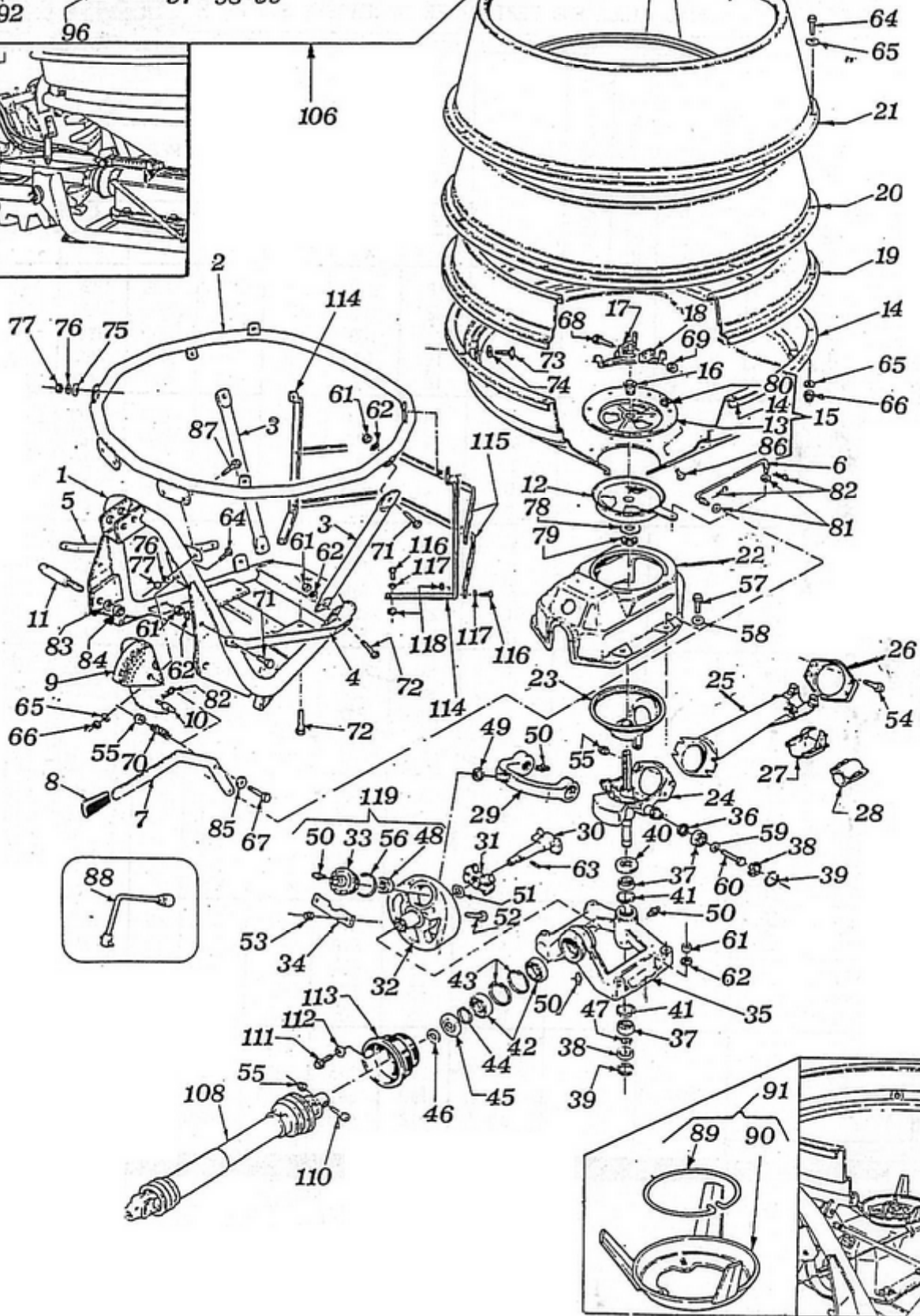
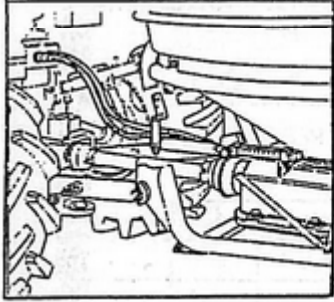
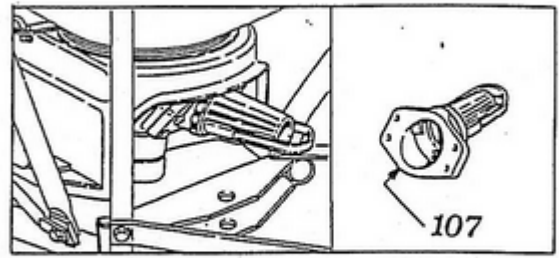
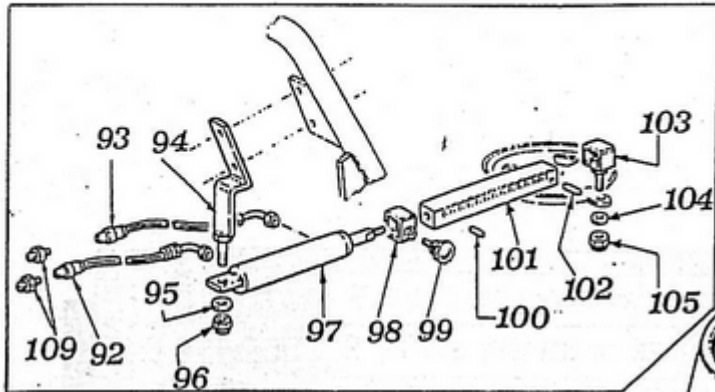


TABLE NO.940.002

ITEM	Q.ty	PART NO	DESCRIPTION				
1	1	400.099	FRAME				
2	1	400.100	HOPPER RING	61	10	600.923	NUT
3	2	400.101	HOPPER SUPPORT	62	10	600.924	SPRING WASHER
4	1	400.102	HOPPER TIE ROD, L H	63	1	600.925	SPRING PIN
5	1	400.103	HOPPER TIE ROD, R H	64	2	600.926	SCREW
6	1	400.104	RATE SETTING TIE ROD	65	2	600.927	WASHER
7	1	400.105	RATE SETTING LEVER	66	10	600.928	SELF-LOCKING NUT
8	1	600.901	HANDLE	67	1	600.929	SCREW
9	1	400.108	LEVER GUIDE BRACKET ✕	68	2	600.930	SCREW
10	1	400.109	LEVER LOCK PIN	69	2	600.931	NUT
11	2	400.110	PIN	70	1	600.932	SPRING
12	1	400.106	DISC	71	4	600.933	SCREW
13	1	400.111	HOPPER BOTTOM	72	6	600.934	SCREW
14	1	400.112	S400 HOPPER	73	4	600.935	SCREW
15	1	400.113	S400 HOPPER ASSY	74	4	600.936	WASHER
16	1	400.114	AGITATOR GUIDE BUSH	75	4	600.937	WASHER
17	1	400.115	AGITATOR	76	8	600.938	SPRING WASHER
18	1	400.116	LOCK	77	8	600.939	NUT
19	1	400.084	S550 SIDE EXTENSION	78	1	600.940	WASHER
20	1	400.085	S700 SIDE EXTENSION	79	1	600.941	SELF-LOCKING RING NUT
21	1	400.086	S900 SIDE EXTENSION	80	6	600.942	LARGE NUT
22	1	400.107	CASE	81	2	600.943	WASHER
23	1	400.117	LOWER CONVEYOR	82	3	600.944	PIN
24	1	400.118	PENDULUM SUPPORT	83	2	600.945	SPRING WASHER
25	1	400.123	SWINGING PIPE	84	2	600.947	NUT
26	1	400.119	FLANGE	85	1	600.948	WASHER
27	1	400.120	SPREADING CUP	86	6	600.949	SCREW
28	1	400.121	STRAIGHT SLEEVE	87	4	600.950	SCREW
29	1	400.122	FORK	88	1	405.044	SETTING WRENCH
30	1	400.126	GROOVED SHAFT	89	1	600.954	SNAP RING
31	1	400.128	SHOCK ASSORBER ✕	90	1	400.088	AGITATOR LONG
32	1	400.127	FLYWHEEL	91	1	400.089	KIT AGITATOR LONG
33	1	400.130	ADJUSTER	92	1	600.955	HOSE
34	1	400.124	LOCK	93	1	600.964	HOSE
35	1	400.125	PENDULUM ASSY SUPPORT	94	1	400.132	SUPPORT
36	2	600.902	GROMMET	95	1	600.956	FLAT WASHER
37	4	600.903	BEARING ✕	96	1	600.957	SELF-LOCKING NUT.
38	3	600.952	FORK PROTECTION COVER	97	1	400.133	CYLINDER
39	3	600.904	SPLIT RING	98	1	400.134	SLIDER
40	1	600.953	MAIN SHAFT PROTECTION	99	1	600.958	LOCKING
41	2	600.905	SNAP RING	100	1	600.959	SPRING PIN
42	2	600.906	BEARING ✕	101	1	400.135	INDEX ROD
43	2	600.907	SNAP RING	102	1	600.960	SPRING PIN
44	1	600.908	SNAP RING	103	1	400.136	FIX SLIDER
45	1	600.909	FRONT COVER	104	1	600.961	FLAT WASHER
46	1	600.910	FRONT WASHER	105	1	600.962	SELF-LOCKING NUT
47	1	600.911	SNAP RING	106	1	400.090	HYDRAULIC CONTROL KIT
48	1	600.912	BEARING ✕	107	1	400.087	SALT AND SAND SPREADING SPOUT
49	1	600.951	FORK PROTECTION HOOD	108	1	610.119	CARDAN SHAFT
50	5	600.913	GREASE NIPPLE	109	2	600.986	NPPLES
51	1	600.914	WASHER	110	1	600.987	SCREW
52	2	600.915	SCREW	111	3	600.988	SCREW
53	2	600.916	SELF-LOCKING NUT	112	3	600.989	WASHER
54	4	600.917	SCREW	113	1	600.990	HOOD
55	6	600.918	SELF-LOCKING NUT	114	2	400.139	VERTICAL SUPPORT
56	1	600.946	GASKET	115	2	400.140	GUARD
57	4	600.919	SCREW	116	6	600.991	SCREW
58	4	600.920	WASHER	117	6	600.992	WASHER
59	2	400.129	BEARING LOCK WASHER	118	6	600.993	NUT
60	2	600.922	SCREW	119	1	400.141	ADJUSTER, COMPLETE