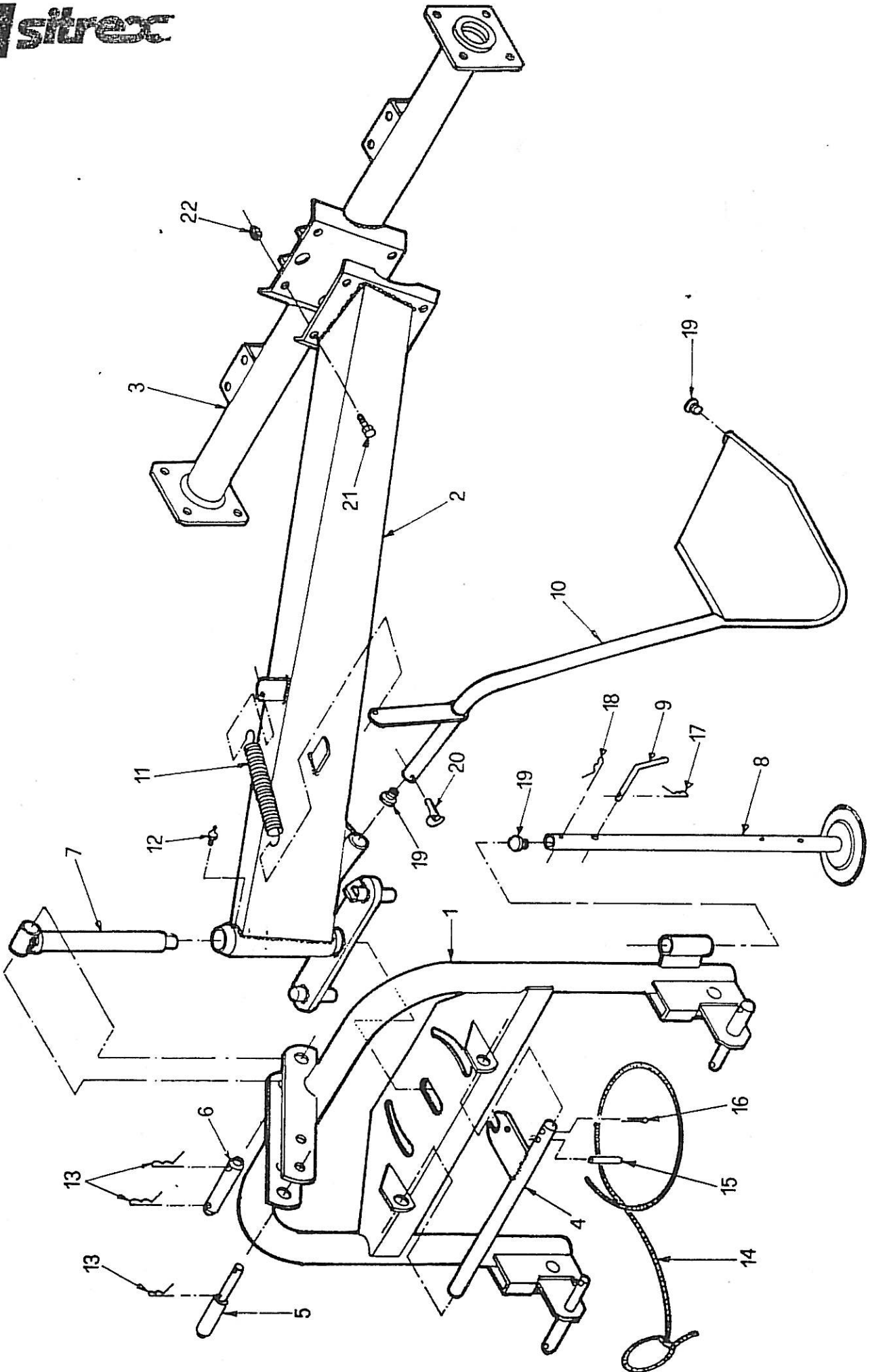


AGRICULTURAL MACHINERY  
**sitrex**®

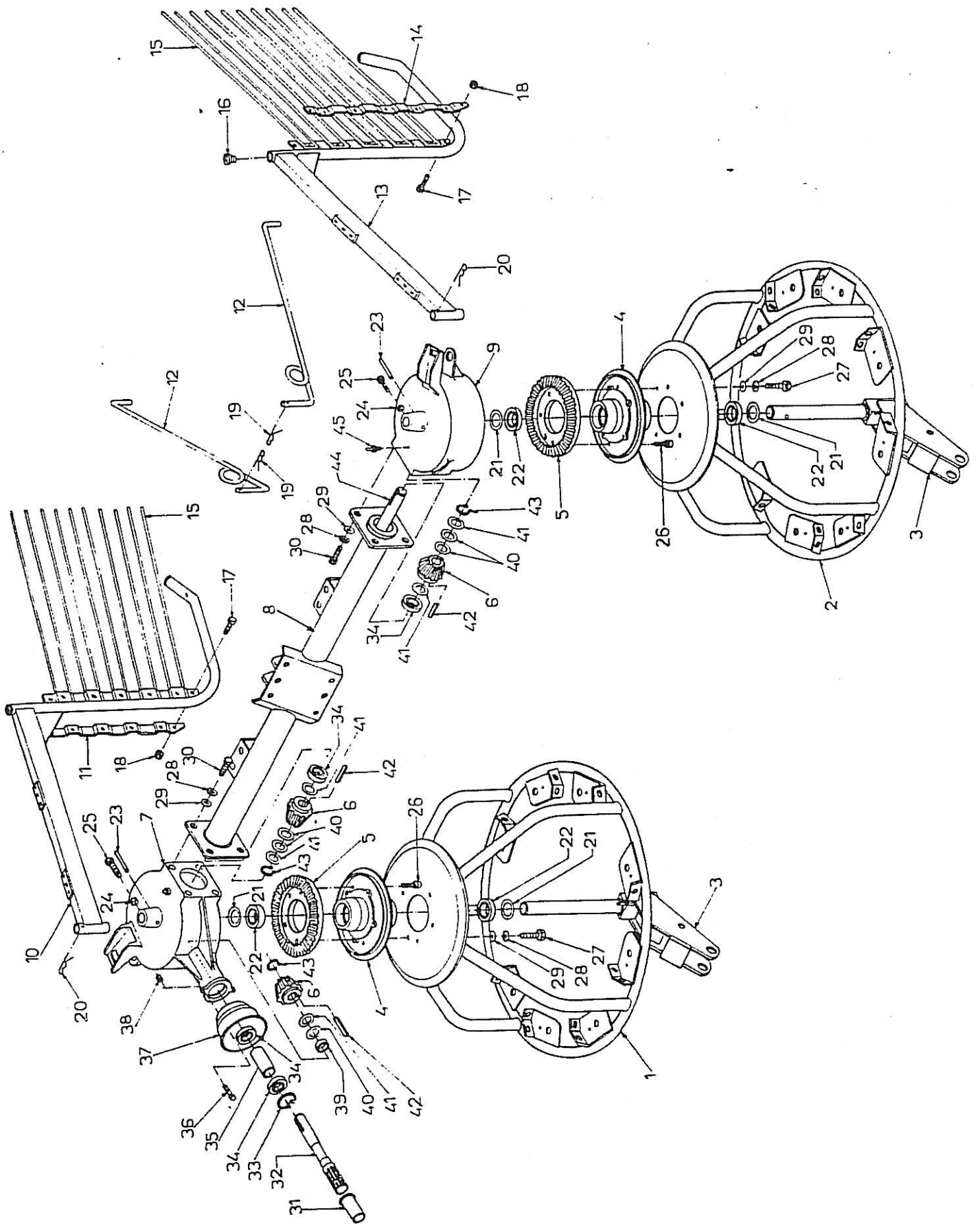
**SPARE PARTS LIST**

***HAYMAKER HM/300***

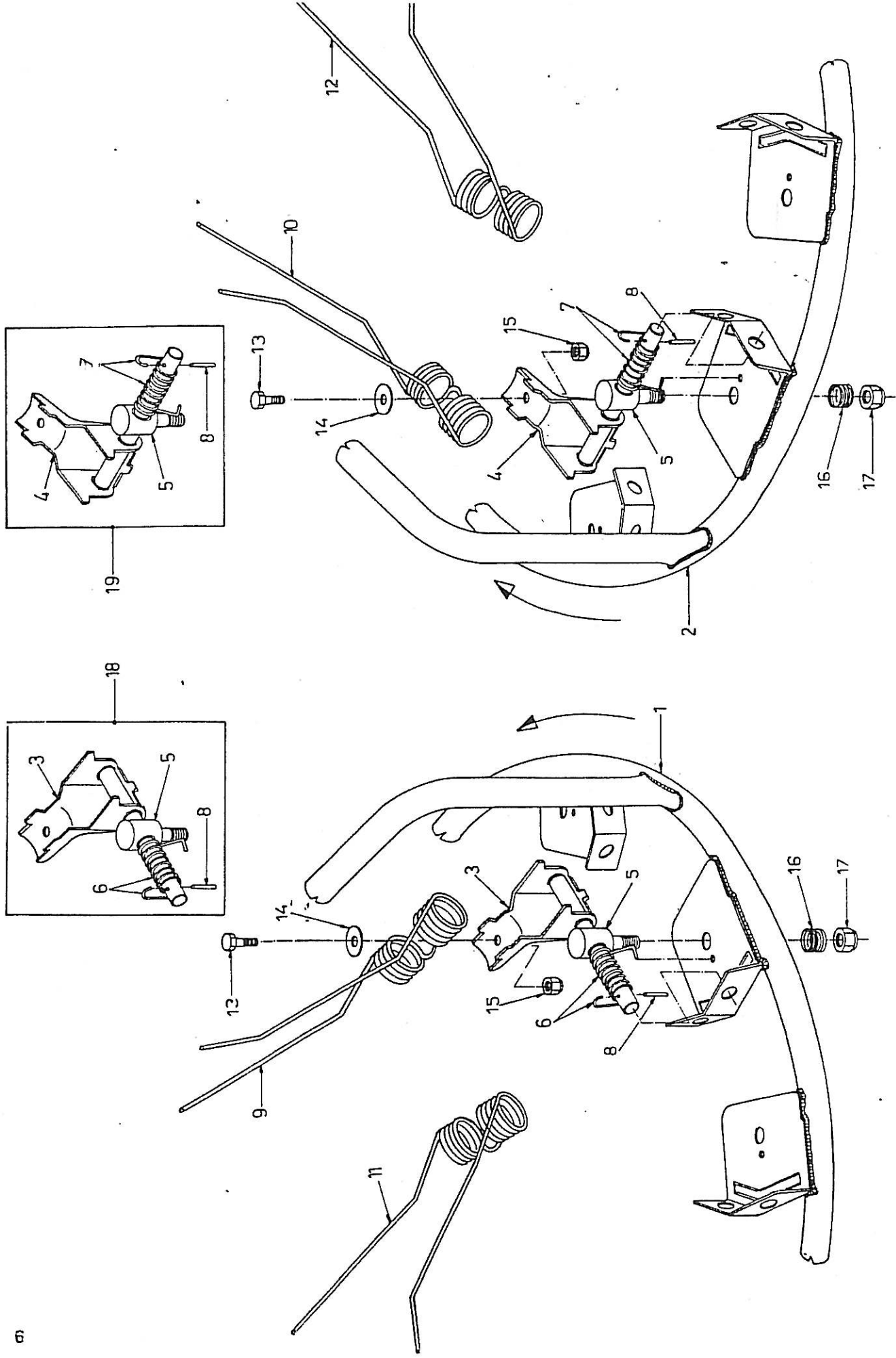


**HM 300 - TABLE 1**

Item	Qty.	Part no.	DESCRIPTION
1	1	200.516	3 Point Hitch
2	1	200.517	Main Frame
3	1	200.518	Axle
4	1	200.519	Lock Lever
5	1	200.343	Pin
6	1	200.520	Pin
7	1	200.521	Pin
8	1	200.522	Parking Stand
9	1	200.328	Pin
10	1	200.259	Guard
11	1	200.279	Spring
12	1	600.124	Grease Nipple
13	3	600.308	Split Pin
14	1	200.523	Rope
15	1	600.444	Spring Pin
16	1	600.545	Split Pin
17	1	600.019	Split Pin
18	1	600.020	Split Pin
19	3	200.309	Plug
20	1	600.017	Pin
21	4	600.620	Screw
22	4	600.625	Self-Locking Nut



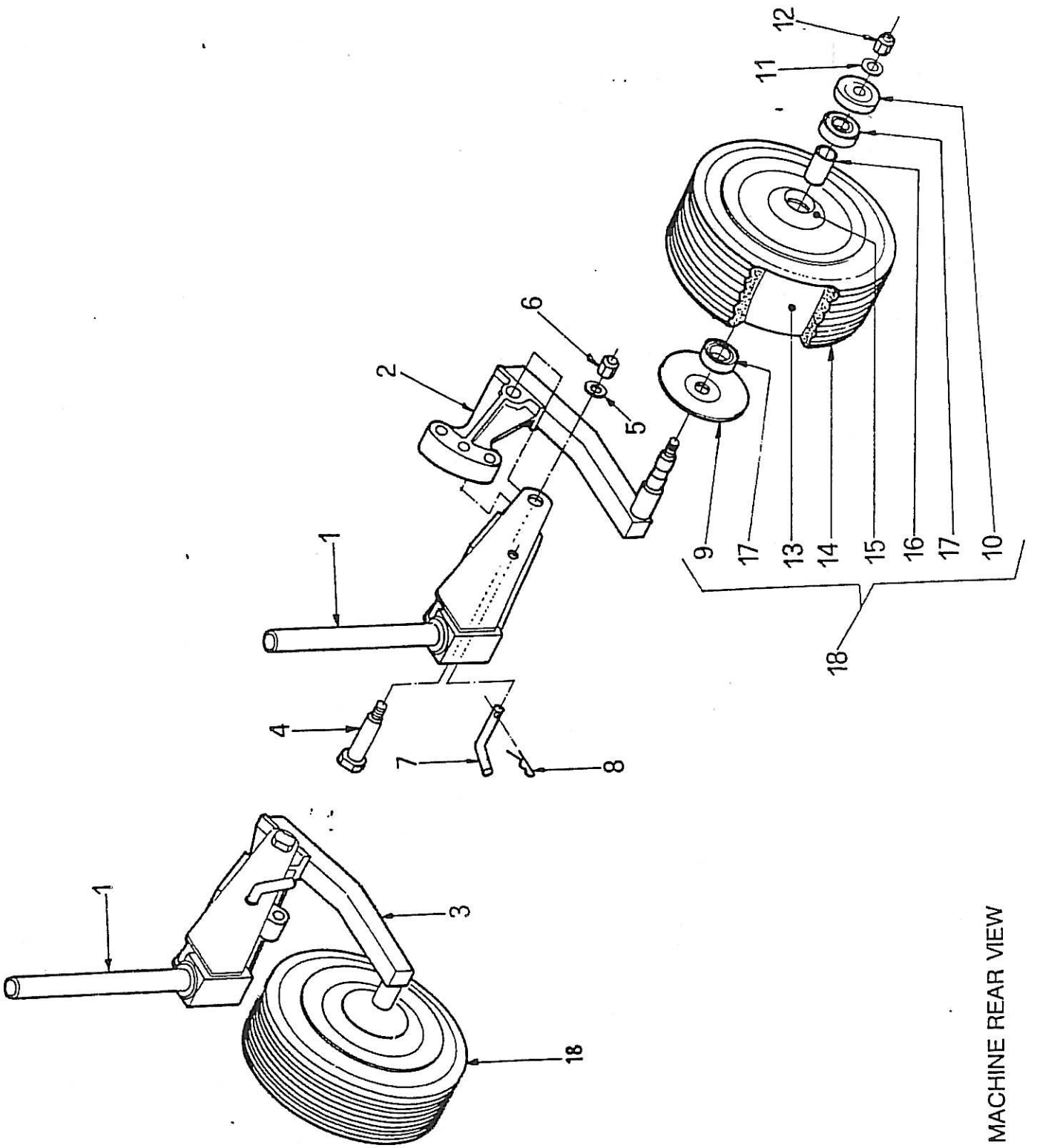
Item	Qty.	Part no.	DESCRIPTION
1	1	200.257	R.H. Rotor
2	1	200.258	L.H. Rotor
3	2	200.253	Wheel-Support
4	2	200.267	Flange
5	2	200.244	Crown
6	3	200.243	Pinion
7	1	200.265	Drive Box
8	1	200.518	Axle
9	1	200.266	Hose Box
10	1	200.260	R.H. Deflector
11	1	200.262	R.H. Tine Lock
12	2	200.276	Spring
13	1	200.261	L.H. Deflector
14	1	200.263	L.H. Tine Lock
15	10	200.283	Tine
16	4	200.309	Cap
17	14	600.226	Screw
18	14	600.627	Nut
19	2	600.019	Split Pin
20	2	600.020	Split Pin
21	4	200.274	Shim
22	4	600.608	Bearing
23	2	600.655	Spring Pin
24	2	600.623	Nut
25	2	600.615	Screw
26	4	600.613	Screw
27	10	600.617	Screw
28	18	600.633	Washer
29	18	600.088	Washer
30	8	600.442	Screw
31	1	600.172	Guard
32	1	200.240	P.T.O. Shaft
33	1	600.612	Snap Ring
34	4	600.609	Bearing
35	1	200.249	Spacer
36	2	600.236	Screw
37	1	600.818	Hood
38	2	600.472	Nut
39	1	200.250	Spacer
40	5	200.273	Shim
41	5	200.272	Shim
42	3	600.610	Tab
43	3	600.611	Snap Ring
44	1	200.241	Drive Shaft
45	3	600.034	Grease Nipple



MACHINE FRONT VIEW

**HM 300 - TABLE 3**

Item	Qty.	Part no.	DESCRIPTION
1	1	200,257	R.H. Rotor
2	1	200.258	L.H. Rotor
3	10	200.289	R.H. Tine Holder
4	10	200.290	L.H. Tine Holder
5	20	200.236	Pin
6	10	200.281	R.H. Spring
7	10	200.282	L.H. Spring
8	20	600.635	Spring Pin
9	5	200.284	R.H. Parallel Tine
10	5	200.285	L.H. Parallel Tine
11	5	200.287	R.H. Large Tine
12	5	200.286	L.H. Large Tine
13	20	600.616	Screw
14	20	600.845	Washer
15	20	600.366	Self Locking Nut
16	20	200.280	Spring
17	20	600.626	Self Locking Nut
18	10	200.270	R.H. Tine Holder, Complete
19	10	200.271	L.H. Tine Holder, Complete

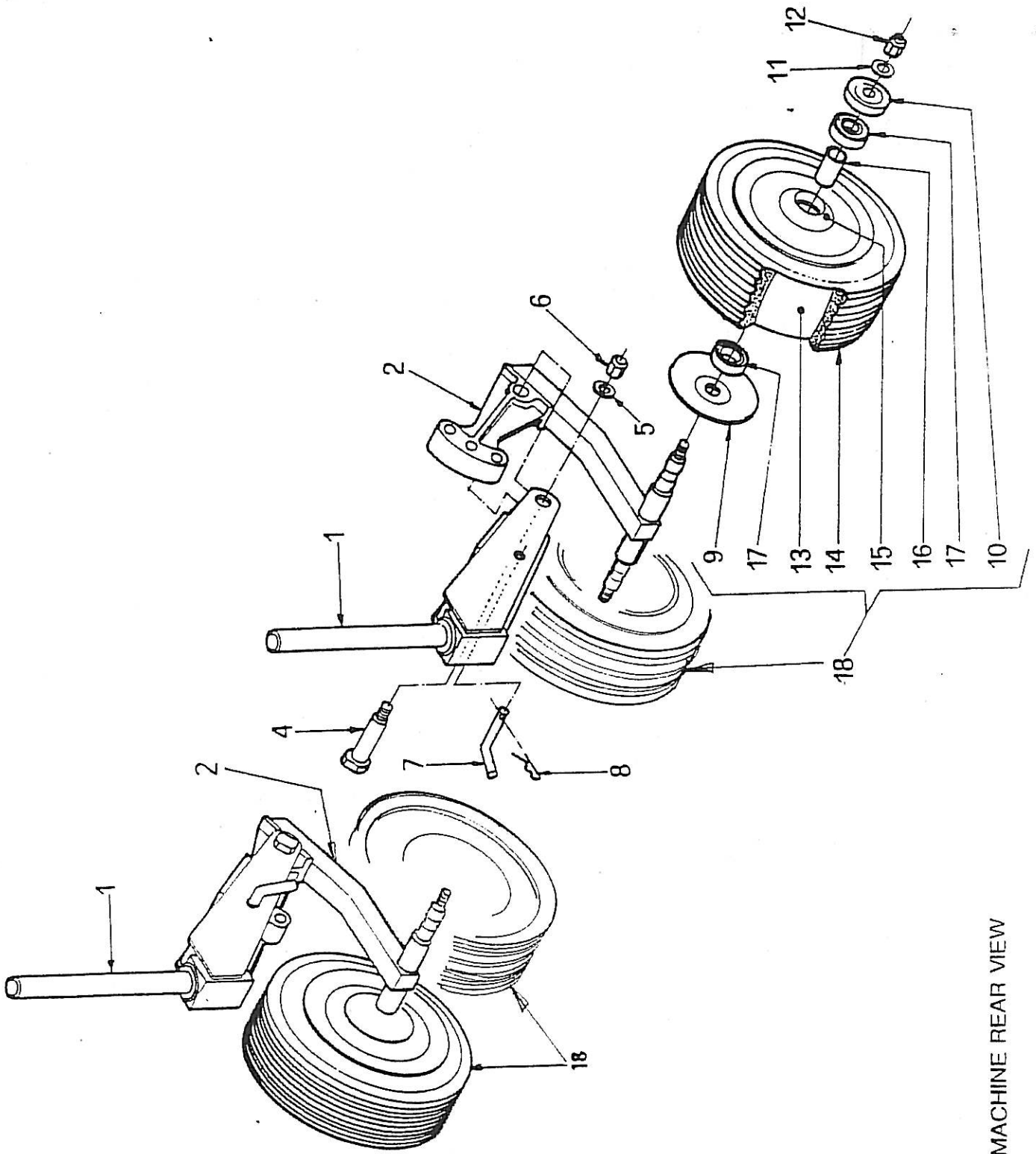


MACHINE REAR VIEW



**HM 300 TABLE 4**

Item	Qty.	Part no.	DESCRIPTION
1	2	200.253	Bracket
2	1	200.268	R.H. Bracket
3	1	200.269	L.H. Bracket
4	2	200.237	Pin
5	2	600.632	Washer
6	2	600.630	Self-Locking Nut
7	2	200.239	Pin
8	2	600.019	Split Pin
9	2	200.720	Inner Dust Cover
10	2	200.247	Outer Dust Cover
11	2	600.031	Washer
12	2	600.629	Self-Locking Nut
13	2	600.638	Tube
14	2	600.639	Cover
15	2	600.637/a	Rim
16	2	200.245	Spacer
17	4	600.602	Bearing
18	2	200.295	Tire Assy



MACHINE REAR VIEW

Item	Qty.	Part no.	DESCRIPTION
1	2	200.253	Bracket
2	2	210.524	Bracket
4	2	200.237	Pin
5	2	600.632	Washer
6	2	600.630	Self-Locking Nut
7	2	200.239	Pin
8	2	600.019	Split Pin
9	4	200.720	Inner Dust Cover
10	4	200.247	Outer Dust Cover
11	4	600.031	Washer
12	4	600.629	Self-Locking Nut
13	4	600.638	Tube
14	4	600.639	Cover
15	4	600.637/a	Rim
16	4	200.245	Spacer
17	8	600.602	Bearing
18	4	200.295	Tire Assy



**AGRICULTURAL MACHINERY**  
**sitrex**®

Zona industriale-Viale Grecia, 8  
06018 TRESTINA-(Perugia)-ITALY  
Tel. +39.075.8540021-Telefax +39.075.8540523  
e-mail: sitrex@sitrex.it www.sitrex.com

