

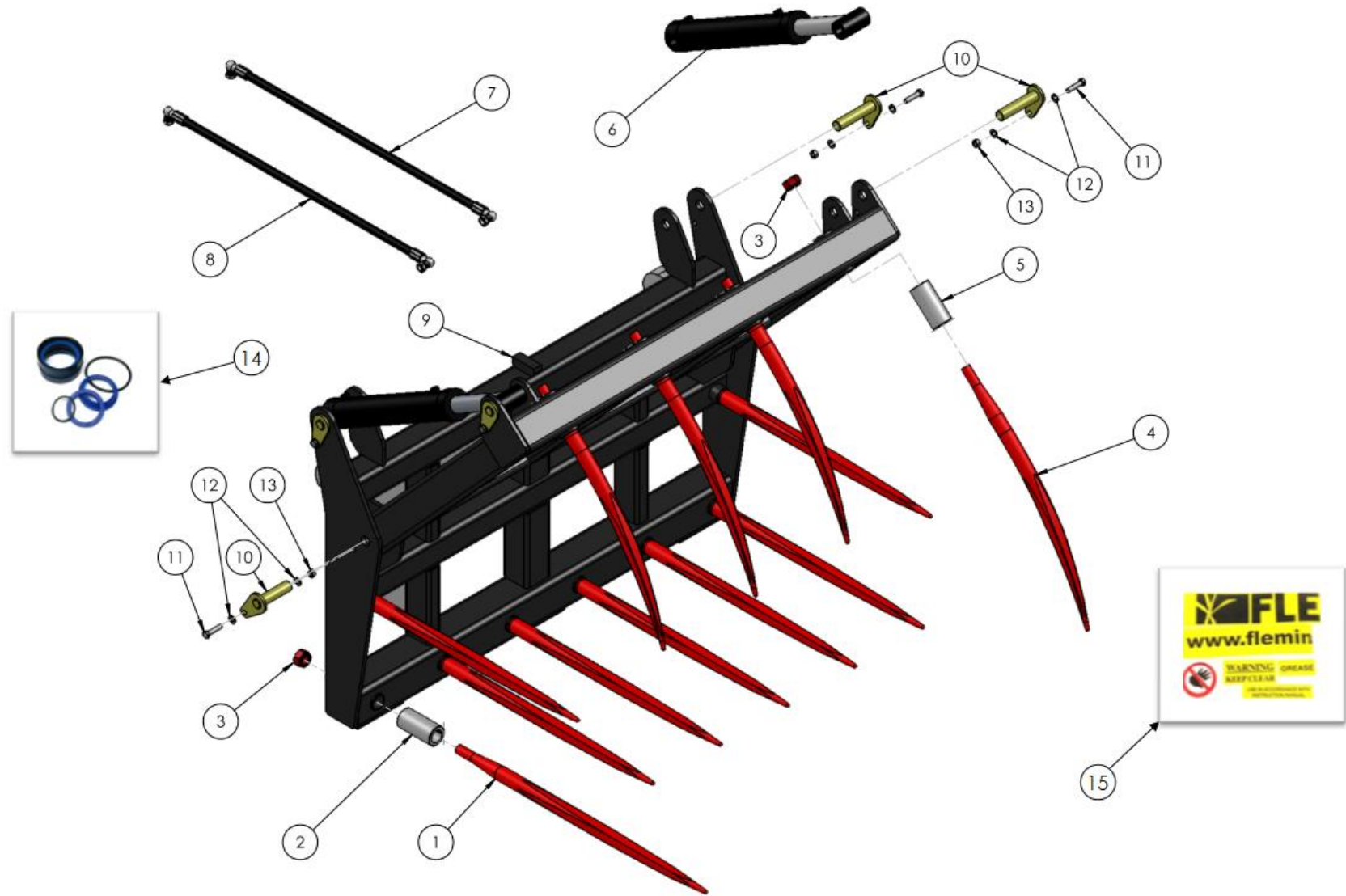
# GENERAL PURPOSE GRAB

## SPARE PARTS LIST





# GENERAL PURPOSE GRAB



SEE TABLE NO: 001

**TABLE NO: 001 GENERAL PURPOSER GRAB ASSEMBLY PARTS**

ITEM NO	DESCRIPTION	SGB3/SGB4		SGB5		SGB6	
		CODE	QTY	CODE	QTY	CODE	QTY
1	32" STRAIGHT TINE M22	ZGPP200	7 / 8	ZGPP200	10	ZGPP200	11
2	CAT 1 TINE BUSH	ZGPP191	7 / 8	ZGPP191	10	ZGPP191	11
3	REPLACEMENT NUT FOR M22 TINE	ZFAS135	12	ZFAS135	15	ZFAS135	17
***4	26" CURVED TINE M22	ZGPP199A	4	ZGPP199A	5	ZGPP199A	6
4	26" CURVED TINE M22 (Locating Grooves)	ZGPP199	4	ZGPP199	5	ZGPP199	6
***5	CAT 1 TINE BUSH	ZGPP191	4	ZGPP191	5	ZGPP191	6
5	CAT 1 TINE BUSH (c/w Locating Grooves)	ZGPP191A	4	ZGPP191A	5	ZGPP191A	6
6	HYDRAULIC RAM	ZGPP33	2	ZGPP33	2	ZGPP33	2
7	3/8" HYDRAULIC HOSE 900mm LONG	ZHYD44	2				
7	3/8" HYDRAULIC HOSE 1000mm LONG			ZHYD46	2		
7	3/8" HYDRAULIC HOSE 1300mm LONG					ZHYD63	2
8	3/8" HYDRAULIC HOSE 650mm LONG	ZHYD43	2				
8	3/8" HYDRAULIC HOSE 770mm LONG			ZHYD45	2		
8	3/8" HYDRAULIC HOSE 900mm LONG					ZHYD44	2
9	3/8" M T CONNECTOR	ZHYD52	2	ZHYD52	2	ZHYD52	2
10	SGB RAM PIN	ZMAC67	6	ZMAC67	6	ZMAC67	6
11	M10x45 BOLT	ZFAS104	6	ZFAS104	6	ZFAS104	6
12	M10 WASHER ZP	ZFAS03	12	ZFAS03	12	ZFAS03	12
13	M10 NYLOCK NUT	ZFAS20	12	ZFAS20	12	ZFAS20	12
14	HYDRAULIC RAM SEAL KIT	HYDSK6	1	HYDSK6	1	HYDSK6	1
15	SAFETY STICKERS KIT	P001.516	1	P001.516	1	P001.516	1

\*\*\* These items were used in early models of the Tine Grab and don't have locating grooves incorporated into their design. Please check which version is used in your machine before ordering.