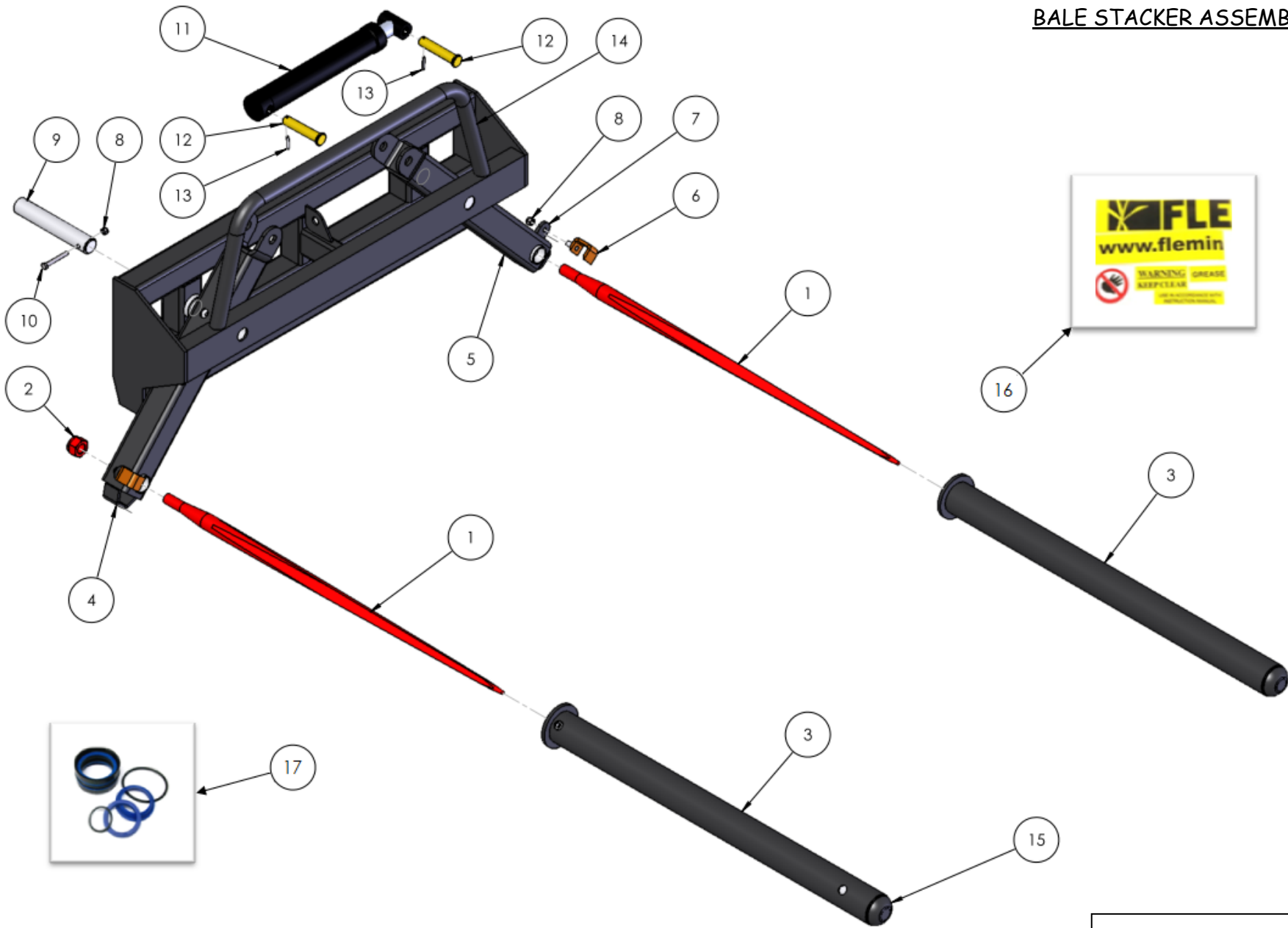


# BALE STACKER SPARE PARTS LIST



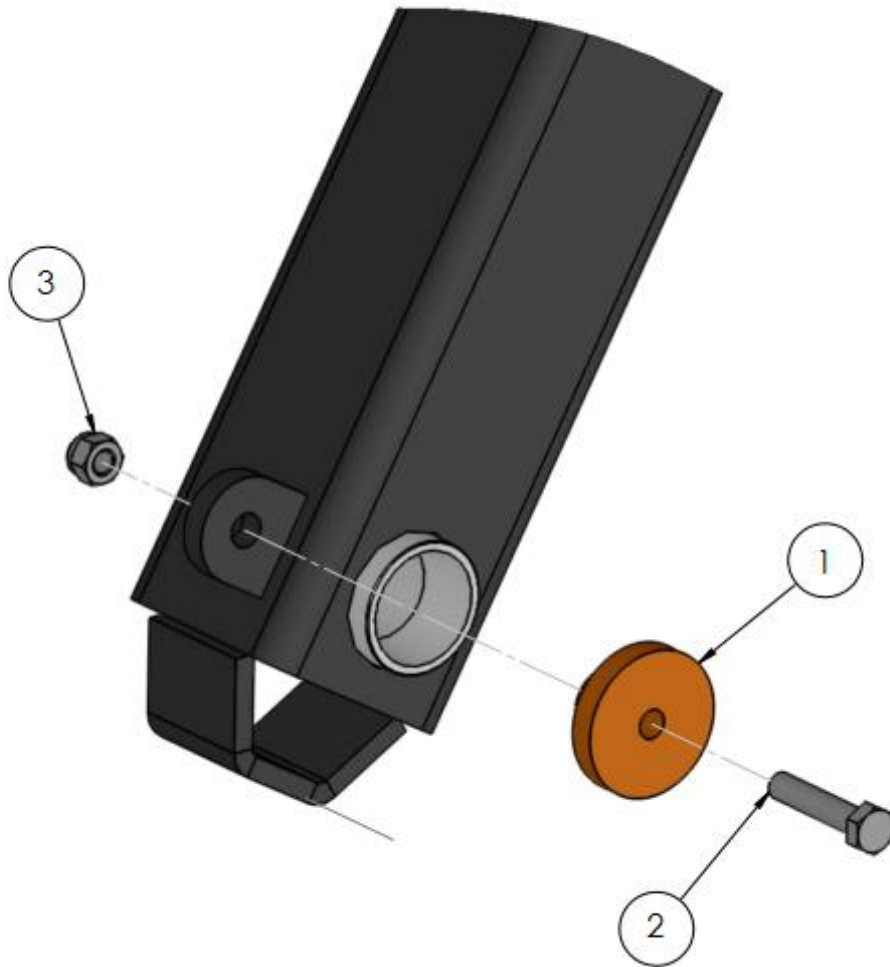
BALE STACKER ASSEMBLY



SEE TABLE NO: 001

TABLE NO: 001 BALE STACKER ASSEMBLY			
ITEM NO	DESCRIPTION	BBSTAC	
		CODE	QTY
1	TINE	ZGPP26	2
2	TINE NUT	ZFAS136	2
3	BALE STACKER PIPE	P001.229	2
4	RIGHT HAND BALE STACKER ARM	P001.230	1
5	LEFT HAND BALE STACKER ARM	P001.231	2
6	BALE STACKER PIPE CLAMP	ZGPP136	2
7	PIPE CLAMP BRACKET	ZPPA119	2
8	M10 NYLOCK	ZFAS20	4
9	PIVOT PIN	ZMAC06	2
10	M10 x 80 BOLT	ZFAS40	2
11	BALE STACKER HYDRAULIC RAM	ZGPP33	1
12	RAM PIN (25DIA x 130mm)	ZGPP95	2
13	M6 x 40 ROLL PIN	ZFAS30	2
14	BALE GUARD	P001.232	2
15	PIPE DOMED END	P001.233	2
16	SAFETY STICKER KIT	P001.504	1
17	HYDRAULIC RAM SEAL KIT	HYDSK6	1

OLD STYLE PIPE CLAMP



SEE TABLE NO: 002

TABLE NO: 002 BALE STACKER OLD TYPE PIPE CLAMP ASSEMBLY			
ITEM NO	DESCRIPTION	BBSTAC	
		CODE	QTY
1	BALE PIPE CLAMP (OLD VERSION)	ZMAC08	2
2	M10x50 BOLT ZP	ZFAS14	2
3	M10 NYLOCK NUT	ZFAS20	2