

Register your New Fleming Product @
<http://www.fleming-agri.co.uk/Products/product-registration.asp>

EU CERTIFICATE OF CONFORMITY

CONFORMING TO EC Machinery Directive 98/37 EC

We:

Fleming Agri-Products Ltd
Newbuildings Industrial Estate
Newbuildings
Northern Ireland
BT47 2SX



declare in sole responsibility, that the product

Type: MUCK FORK

to which this certificate applies, conforms to the basic safety
and health requirements of the EC Machinery Directive 98/37 EC,
and the Transposed Harmonised Standards:
BS EN 1553 (2000)

Jonathan Lecky
Production Director

The logo features a stylized blue leaf or plant icon to the left of the word 'FLEMING' in a bold, blue, sans-serif font, all set against a yellow rectangular background.

**MUCK FORK
Operators Manual**

**Fleming Agri-Products Ltd
Newbuildings Industrial Estate
Newbuildings
Northern Ireland
BT47 2SX**

Tel: (028) 7134 2637

Fax: (028) 7134 4735

Email: info@fleming-agri.co.uk

www.fleming-agri.co.uk

'Quality, Strength & Personal Service'

This manual is provided to assist you in getting the best results from your Muck Fork and ensure that you do so safely. If you have any queries about the use of the Muck Fork contact your dealer before use. Please keep this manual for future reference.

1.1 FUNDAMENTAL PRECAUTIONS

On delivery, your dealer gave you an explanation of the operation and maintenance of this Fleming Muck Fork. Please read and understand these operating instructions before operating the Muck Fork for the first time. It is essential that you observe all safety instructions.

Incorrect use or mishandling of the Muck Fork can endanger:

- Life and Limb of the operator, other persons or animals within the vicinity of the Muck Fork.
- The Muck Fork and other material assets of the owner or third persons.
- The performance of the Muck Fork.

Anyone who is involved in the commissioning, operation or maintenance of the Muck Fork must read and understand these instructions very carefully and observe them at all times.

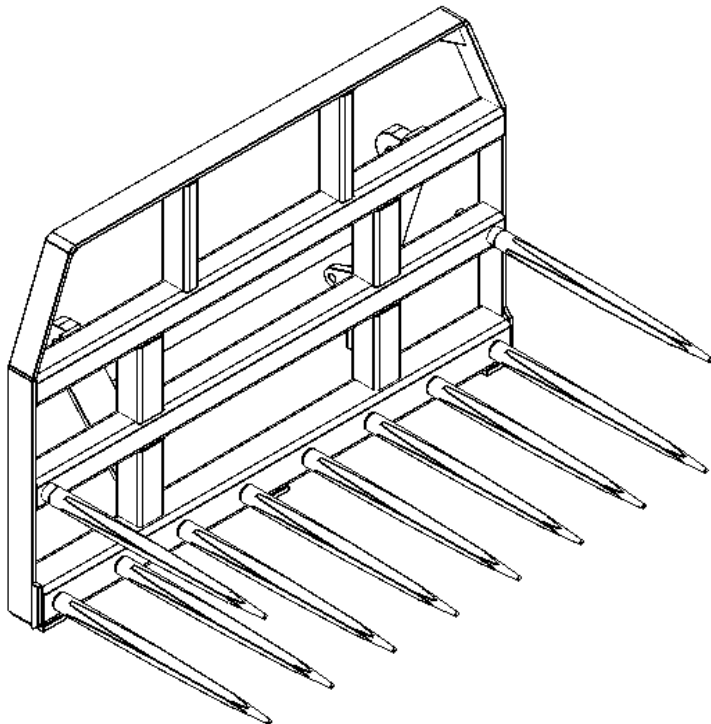
NEVER DISTRACT ANYONE WHO IS USING THE MUCK FORK.

1.5 MAINTENANCE

- As a rule, disengage the driving system, apply the hand brake and stop the engine prior to carrying out maintenance, servicing, cleaning or repair work. **ALWAYS** remove the ignition key.
- Prop the Muck Fork with appropriate supports before carrying out any maintenance work.
- The manufacturer will not be responsible for any damages or injuries caused by unauthorised repair, alterations or mishandling of the product.
- Maintain product with care. Check periodically for damage that would affect the safe operation of the Muck Fork.
- ALWAYS** ensure all warning stickers are kept clean and in good condition.
- Regularly check all nuts and tighten if necessary.

1.4 GENERAL OPERATING INSTRUCTIONS

- Before fitting the Muck Fork ensure that the tractor is suitably sized and is fitted with counterbalance weights.
- Approach the silage/manure pit and lift back the frame when loaded.
- If feeding to livestock, ensure that the Muck Fork tines are never allowed to come into contact with the livestock.
- If the Muck Fork is used to fill a feeder or other implement be careful to avoid contact between Muck Fork tines and metal surfaces or rotating paddles.
- To eject the load, tilt forward.



1.2 AUTHORISED OPERATORS

Youths under the age of 16 must not operate this implement. The owner of the Muck Fork must provide the operator with the operating instructions and make sure they have read and understood them. Only then may the Muck Fork be put into operation.

The owner must ensure that only authorised persons operate/work on this Muck fork. He is responsible for keeping any third persons or animals out of the working area of the Muck fork.

THE OPERATOR MUST BE FULLY TRAINED BEFORE USING THE MUCK FORK.

A SAFE DISTANCE OF AT LEAST 10M MUST BE OBSERVED BY ANYONE WITHIN THE VICINITY OF THE MUCK FORK.

TO AVOID SERIOUS INJURY ALWAYS ENSURE THAT POINTED TINES ARE NEVER ALLOWED TO COME INTO CONTACT WITH EITHER BYSTANDERS OR LIVESTOCK.

1.3 GENERAL SAFETY AND ACCIDENT PREVENTION REGULATIONS

- Ensure the Muck Fork is correctly and securely attached to the operating vehicle using loader bracket mounting points.

•Always use the correct mounting bracket and ensure that it is fitted by a trained and competent operator who has been approved by your Fleming dealer.

•**NEVER** attach to a tractor which would be rendered unstable when the Muck Fork is operated at its full capacity. Take note of the maximum load permissible on loader or linkage arms.

•Take extra care when operating machinery on sloping ground. **NEVER** operate on ground where there is a risk of the tractor becoming unstable.

•When the unit is stationary always ensure it is lowered to the ground.

•When detaching the Muck Fork from the tractor always ensure that it is stable and safely positioned on a level surface.

•The attaching and detaching of the Muck Fork to a tractor must be carried out by only one operator. There should not be any other persons in the vicinity of the implement or in the tractor.

•Before operation make yourself familiar with all elements and controls of the machine as well as their functions.

•Before operation inspect the area around you. Keep children away. All visitors and unauthorised persons should be kept well away from work area.

•**Under NO circumstances** should anyone, authorised or otherwise attempt to use the Muck Fork as a means of personal transport. It is designed as a specialist purpose farm implement and is unsuitable for the safe transportation of passengers. **NEVER** allow anyone especially children to travel anywhere between the tractor and an implement.

•**ENSURE** that the operator is aware of the large overhang when the Muck Fork is mounted on the front of the tractor. **EXTREME CAUTION** must be taken when emerging onto public roads.

•Never unload on sloping ground or anywhere that could cause instability.

•Always ensure that the ground is level and stable.

•**NEVER** attempt to move the Muck Fork manually.

•**EXTREME CAUTION** must be taken if operating the Muck Fork near overhead power lines. All loading and unloading areas should be well away from overhead power lines. If a Muck Fork does come into contact with a power cable and it is necessary to leave the tractor, leave the vehicle by jumping well clear. Do not make contact with the ground and the vehicle at the same time, as this will complete the electrical circuit. Prevent anyone else from coming into contact with the vehicle while it is touching any power cable and contact the electrical supply company immediately.