

Register your New Fleming Product @
<http://www.fleming-agri.co.uk/Products/product-registration.asp>

EU CERTIFICATE OF CONFORMITY

CONFORMING TO EC Machinery Directive 98/37 EC

We:

Fleming Agri-Products Ltd
Newbuildings Industrial Estate
Newbuildings
Northern Ireland
BT47 2SX



declare in sole responsibility, that the product

Type: SILAGE SHEAR GRAB

to which this certificate applies, conforms to the basic safety
and health requirements of the EC Machinery Directive 98/37 EC,
and the Transposed Harmonised Standards:
BS EN 1553 (2000)

Jonathan Lecky
Production Director

The logo features a stylized blue and green leaf icon to the left of the word 'FLEMING' in a bold, blue, sans-serif font, all set against a yellow rectangular background.

FLEMING

**4ft, 5ft, 6ft and 6'6ft SHEAR GRAB
Operators Manual**

**Fleming Agri-Products Ltd
Newbuildings Industrial Estate
Newbuildings
Northern Ireland
BT47 2SX**

Tel: (028) 7134 2637

Fax: (028) 7134 4735

Email: info@fleming-agri.co.uk

www.fleming-agri.co.uk

'Quality, Strength & Personal Service'

This manual is provided to assist you in getting the best results from your Shear Grab and ensure that you do so safely. If you have any queries about the use of the Shear Grab contact your dealer before use. Please keep this manual for future reference.

1.1 FUNDAMENTAL PRECAUTIONS

On delivery, your dealer gave you an explanation of the operation and maintenance of this Fleming Shear Grab. Please read and understand these operating instructions before operating the Shear Grab for the first time. It is essential that you observe all safety instructions.

Incorrect use or mishandling of the Shear Grab can endanger:

- Life and Limb of the operator, other persons or animals within the vicinity of the Shear Grab.
- The Shear Grab and other material assets of the owner or third persons.
- The performance of the Shear Grab.

Anyone who is involved in the commissioning, operation or maintenance of the Shear Grab must read and understand these instructions very carefully and observe them at all times.

NEVER DISTRACT ANYONE WHO IS USING THE SHEAR GRAB.

1.2 AUTHORISED OPERATORS

Youths under the age of 16 must not operate this implement. The owner of the Shear Grab must provide the operator with the operating instructions and make sure they have read and understood them. Only then may the Shear Grab be put into operation.

The owner must ensure that only authorised persons operate/work on this Shear Grab. He is responsible for keeping any third persons or animals out of the working area of the Shear Grab.

THE OPERATOR MUST BE FULLY TRAINED BEFORE USING THE SHEAR GRAB.

A SAFE DISTANCE OF AT LEAST 10M MUST BE OBSERVED BY ANYONE WITHIN THE VICINITY OF THE SHEAR GRAB.

TO AVOID SERIOUS INJURY ALWAYS ENSURE THAT SHARP BLADES ARE NEVER ALLOWED TO COME INTO CONTACT WITH EITHER BYSTANDERS OR LIVESTOCK.

1.6 MAINTENANCE

- As a rule, disengage the driving system, apply the hand brake and stop the engine prior to carrying out maintenance, servicing, cleaning or repair work. **ALWAYS** remove the ignition key.
- Prop the Shear Grab with appropriate supports before carrying out any maintenance work.
- The manufacturer will not be responsible for any damages or injuries caused by unauthorised repair, alterations or mishandling of the product.
- Maintain product with care. Check periodically for damage that would affect the safe operation of the implement.
- ALWAYS** ensure all warning stickers are kept clean and in good condition.
- Regularly check all bolts and tighten if necessary.
- Lubricate the hydraulic cylinder and the hinge bushes daily.
- Only use clean grease complying to Din51502
- Clean all grease nipples and the nozzle of the grease gun before lubrication.
- Apply grease to blade surfaces and hydraulic cylinder chrome rod when laying up.
- Sharpen blades with a hand file only.

1.3 GENERAL SAFETY AND ACCIDENT PREVENTION REGULATIONS

- Ensure the implement is correctly and securely attached to the operating vehicle using loader bracket mounting points.

- Always use the correct mounting bracket and ensure that it is fitted by a trained and competent operator who has been approved by your Fleming dealer.

- NEVER** attach to a tractor which would be rendered unstable when the implement is operated at its full capacity. Take note of the maximum load permissible on loader or linkage arms. The unloaded weight of the Shear Grab with the pipes in place is 348 kg (4ft) and 431 kg (5ft).

- Take extra care when operating machinery on sloping ground. **NEVER** operate on ground where there is a risk of the tractor becoming unstable.

- When the unit is stationary always ensure it is lowered to the ground and in the grab is in the CLOSED position.

- When detaching the implement from the tractor always ensure that it is stable and safely positioned on a level surface.

- The attaching and detaching of the implement to a tractor must be carried out by only one operator. There should not be any other people in the vicinity of the implement or in the tractor.

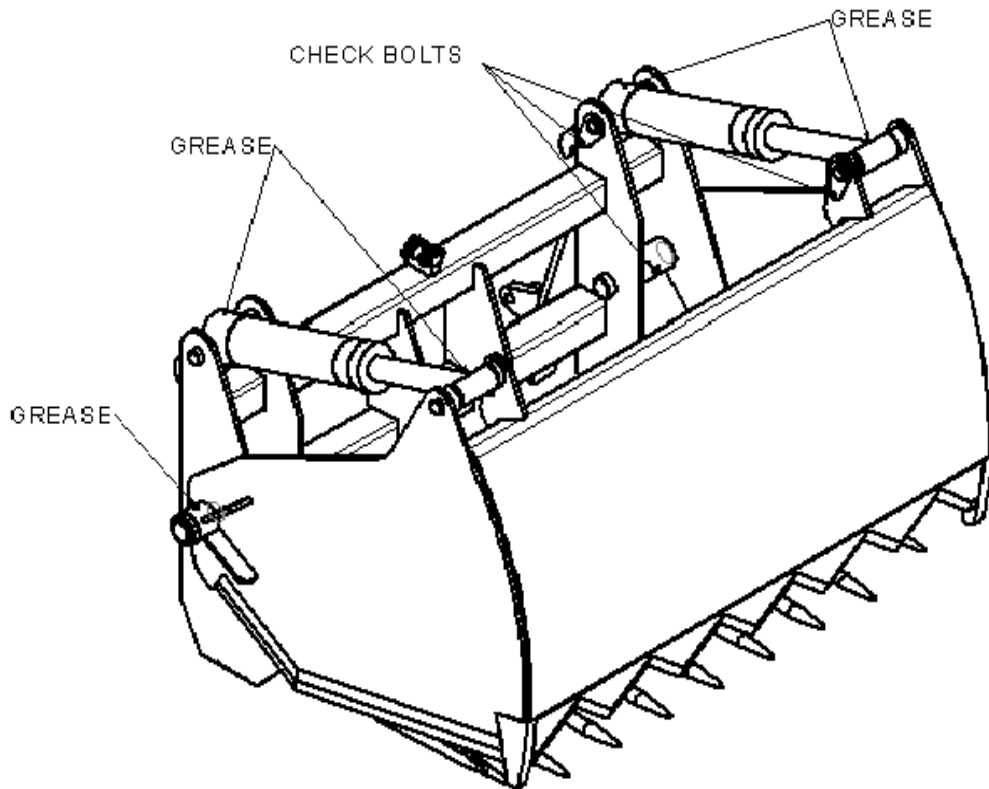
- Before operation make yourself familiar with all elements and controls of the machine as well as their functions.

- Before operation inspect the area around you. Keep children away. All visitors and unauthorised persons should be kept well away from work area.

- Under NO circumstances** should anyone, authorised or otherwise attempt to use the Shear Grab as a means of personal transport. It is designed as a specialist purpose farm implement and is unsuitable for the safe transportation of passengers. **NEVER** allow anyone especially children to travel anywhere between the tractor and an implement.

- NEVER** use this implement to lift items other than silage. Any attempt to overload the Shear Grab will risk life and limb of the operator and immediately invalidate warranty.

- ENSURE** the Shear Grab does not restrict the forward vision or important sightlines of the operator when mounted on the front of the tractor.



•**ENSURE** that the operator is aware of the large overhang when the Shear Grab is mounted on the front of the tractor. **EXTREME CAUTION** must be taken when emerging onto public roads.

•Never unload on sloping ground or anywhere that could cause instability.

•Always ensure that the ground is level and stable.

•**NEVER** attempt to move this implement manually.

•For safety the Shear Grab should be stored with the grab in the CLOSED position

•**EXTREME CAUTION** must be taken if operating the Shear Grab near overhead power lines. All loading and unloading areas should be well away from overhead power lines. If a Shear Grab does come into contact with a power cable and it is necessary to leave the tractor, leave the vehicle by jumping well clear. Do not make contact with the ground and the vehicle at the same time, as this will complete the electrical circuit. Prevent anyone else from coming into contact with the vehicle while it is touching any power cable and contact the electrical supply company immediately.

1.4 GENERAL OPERATING INSTRUCTIONS

• Before fitting the Shear Grab ensure that the tractor is suitably sized and is fitted with counterbalance weights.

• Check that all blades on the Shear Grab are sharp.

•Approach the silage pit with the grab fully open.

•Cut the block and keep the grab closed when transporting to the feeding area.

•If feeding to livestock, ensure that the silage grab blades are never allowed to come into contact with the livestock.

•If the Shear Grab is used to fill a feeder or other implement be careful to avoid contact between Shear Grab blades and metal surfaces or rotating paddles.

•To eject the load, fully open the grab and tilt forward.

•Return the Shear Grab to the closed position when not in use.

1.5 HYDRAULIC SAFETY

•**CAUTION** The hydraulic system is under high pressure.

•Ensure that only high-pressure hoses are used to connect supply to the Shear Grab's hydraulic cylinders. Check hoses regularly and renew any that are damaged or worn.

•Before working on the hydraulics lower the Shear Grab, release the pressure from the system and stop the tractor engine.

•When connecting hydraulic rams make sure that the hydraulic hoses are coupled correctly. Pressure should be released from the system both on the tractor and on the implement side prior to coupling the hoses to the tractor hydraulics.

•**CAUTION** Hydraulic oil forced out under pressure can break the skin and cause severe injury. In the event of a hydraulic oil leak stop the tractor flow immediately. **DO NOT PUT HANDS NEAR A LEAKING PIPE.**