

Register your New Fleming Product @
<http://www.fleming-agri.co.uk/Products/product-registration.asp>

EU CERTIFICATE OF CONFORMITY

CONFORMING TO EC Machinery Directive 98/37 EC

We:

Fleming Agri-Products Ltd
Newbuildings Industrial Estate
Newbuildings
Northern Ireland
BT47 2SX



declare in sole responsibility, that the product

Type: SQBH Square Bale Stacker

to which this certificate applies, conforms to the basic safety
and health requirements of the EC Machinery Directive 98/37 EC,
and the Transposed Harmonised Standards:

BS EN 1553 (2000)

Jonathan Lecky
Production Director

The logo features a stylized green leaf icon to the left of the word 'FLEMING' in a bold, blue, sans-serif font, all contained within a yellow rectangular background.

**Square Bale Stacker
Operators Manual**

**Fleming Agri-Products Ltd
Newbuildings Industrial Estate
Newbuildings
Northern Ireland
BT47 2SX
Tel: (028) 7134 2637
Fax: (028) 7134 4735
Email: info@fleming-agri.co.uk
www.fleming-agri.co.uk**

'Quality, Strength & Personal Service'

This manual is provided to assist you in getting the best results from your machine and ensure that you do so safely. If you have any queries about the use of the machine contact your dealer before use. Please keep this manual for future reference.

1.1 FUNDAMENTAL PRECAUTIONS

On delivery, your dealer gave you an explanation of the operation and maintenance of this Fleming stacker. Please read and understand these operating instructions before operating the machine for the first time. It is essential that you observe all safety instructions.

Incorrect use or mishandling of the machine can endanger:

- Life and Limb of the operator, other persons or animals within the vicinity of the machine.
- The machine and other material assets of the owner or third persons.
- The performance of the machine.

Anyone who is involved in the commissioning, operation or maintenance of the bale stacker must read and understand these instructions very carefully and observe them at all times.

NEVER DISTRACT ANYONE WHO IS USING A MACHINE.

1.2 AUTHORISED OPERATORS

Youths under the age of 16 must not operate this implement. The owner of the machine must provide the operator with the operating instructions and make sure they have read and understood them. Only then may the machine be put into operation.

The owner must ensure that only authorised persons operate/work on this machine. He is responsible for keeping any third persons or animals out of the working area of the machine.

THE OPERATOR MUST BE FULLY TRAINED BEFORE USING THE IMPLEMENT ESPECIALLY WHEN MOUNTED ON THE FRONT OF THE TRACTOR

A SAFE DISTANCE OF AT LEAST 10M MUST BE OBSERVED BY ANYONE WITHIN THE VICINITY OF THE BALE STACKER.

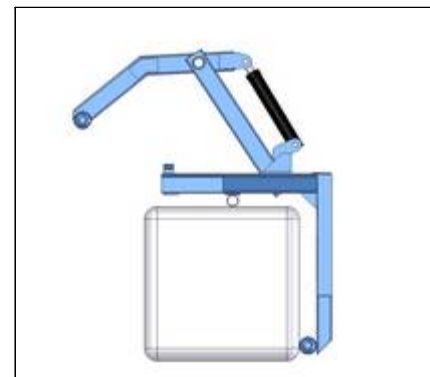


Figure 2 Stacker approaching the bale

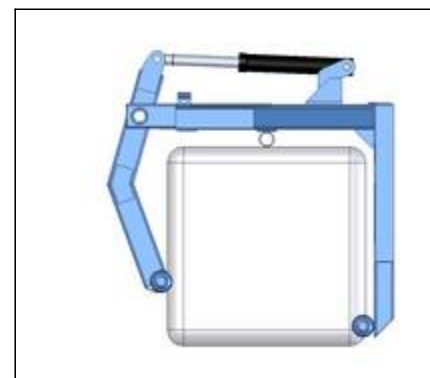


Figure 3 Stacker in the correct position to lift the bale

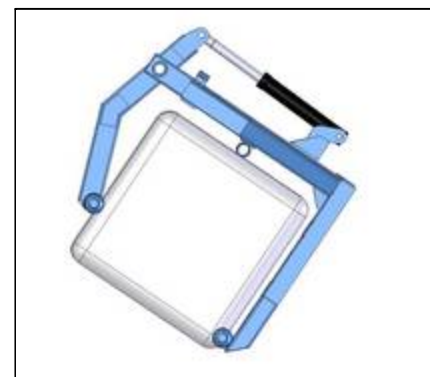


Figure 4 Correct transport position of the bale

•1.6 HYDRAULIC SAFETY

- CAUTION** The hydraulic system is under high pressure.
- Ensure that only high-pressure hoses are used to connect supply to the stacker's hydraulic cylinder. Check hoses regularly and renew any that are damaged or worn.
- Before working on the hydraulics lower the stacker, release the pressure from the system and stop the tractor engine.
- When connecting hydraulic rams make sure that the hydraulic hoses are coupled correctly. Pressure should be released from the system both on the tractor and on the implement side prior to coupling the hoses to the tractor hydraulics.
- CAUTION** Hydraulic oil forced out under pressure can break the skin and cause severe injury. In the event of a hydraulic oil leak stop the tractor flow immediately. **DO NOT PUT HANDS NEAR A LEAKING PIPE.**

1.7 MAINTENANCE

- As a rule, disengage the driving system and stop the engine prior to carrying out maintenance, servicing, cleaning or repair work. **ALWAYS** remove the ignition key.
- Prop the machine with appropriate supports before carrying out any maintenance work.
- The manufacturer will not be responsible for any damages or injuries caused by unauthorised repair, alterations or mishandling of the product.
- Maintain product with care. Check periodically for damage that would affect the safe operation of the implement.
- ALWAYS** ensure all warning stickers are kept clean and in good condition.
- Regularly check all bolts and tighten if necessary. **ALWAYS** ensure the bolts at the hinges are not over tightened as this could cause damage to the machine.
- Regularly lubricate the hydraulic cylinder and hinges using clean grease.
- Cover the chromed area of the hydraulic cylinder with a layer of grease during prolonged periods of inactivity.

1.3 GENERAL SAFETY AND ACCIDENT PREVENTION REGULATIONS

- Ensure the implement is correctly and securely attached to the operating vehicle using loader bracket mounting points.
- Always use the correct mounting bracket and ensure that it is fitted by a trained and competent operator who has been approved by your Fleming dealer. It is recommended to use a bolted connection to attach the mounting bracket.
- NEVER** attach to a tractor which would be rendered unstable when the implement is operated at its full capacity. Take note of the maximum load permissible on loader or linkage arms. Unloaded weight of the implement is 205 kg.
- Take extra care when operating machinery on sloping ground. **NEVER** operate on ground where there is a risk of the tractor becoming unstable.
- When the unit is stationary always ensure it is lowered to the ground.
- When detaching the implement from the tractor always ensure that it is stable and safely positioned on a level surface and **the locking pin is in place.**
- The attaching and detaching of the implement to a tractor must be carried out by only one operator. There should not be any other people in the vicinity of the implement or in the tractor.
- Before operation make yourself familiar with all elements and controls of the machine as well as their functions.
- Before operation inspect the area around you. Keep children away. All visitors and unauthorised persons should be kept well away from work area.
- Under NO circumstances** should anyone, authorised or otherwise attempt to use the bale stacker as a means of personal transport. It is designed as a specialist purpose farm implement and is unsuitable for the safe transportation of passengers. **NEVER** allow anyone especially children to travel anywhere between the tractor and an implement.
- NEVER** use this implement to lift items other than square or round bales of straw, hay or silage. This machine is designed to carry only one bale. Any attempt to overload the machine will risk life and limb of the operator and immediately invalidate warranty.
- MAXIMUM SIZE OF SILAGE BALE TO BE LIFTED IS 900MM X 900MM.**

- To avoid personal injury keep hands and limbs well away from the moving parts.

- ENSURE** the implement and bale do not restrict the forward vision or important sightlines of the operator when mounted on the front of the tractor.

- ENSURE** that the operator is aware of the large overhang when the implement is mounted on the front of the tractor. **EXTREME CAUTION** must be taken when emerging onto the public roads.

- Never unload bales on sloping ground or anywhere where the bales could be unstable.

- If stacking bales always ensure that the ground is level and stable and the stack is secure and adequately supported.

- NEVER** attempt to move this implement manually.

•1.4 GENERAL OPERATING INSTRUCTIONS

- If the implement is to be transported on a trailer then it should be securely attached using suitable restraints.

- Before operation ensure that the square bale stacker is adjusted to the correct size setting for the bales to be stacked using the adjustment holes at each side. **WARNING** care must be taken to avoid injury when adjusting the size of the stacker. See section 1.5 for more information.

- Never attempt to lift different sizes of bales without first checking the size setting of the bale stacker.

- Retract the hydraulic cylinder to open the bale stacker fully and approach the bale until it strikes the buffer bar. Then extend the hydraulic cylinder until the bale is securely clamped. See Figures 2 and 3 for more information.

- Tilt the stacker upwards so the bale is resting on the stacker body in transport. The correct transport position is shown in Figure 4.

- Before detaching the implement ensure the pin is inserted in the locking mechanism to lock the machine in the closed position.

- **ALWAYS** remember to remove the pin before operating the implement as failure to do so will result in damage to the machine.

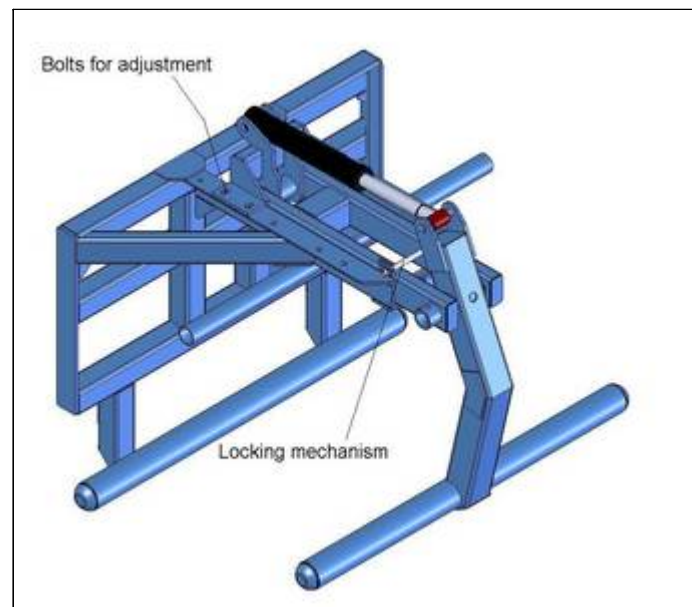


Figure 1. Locking mechanism to hold stacker secure when detached from the tractor.

1.5 ADJUSTMENT OF THE STACKER

- The stacker has three separate settings to allow different sizes of bales to be transported. To change between settings the following process must be followed.

- Remove the four bolts in the position indicated in Figure 1.

- Slide the mounting bracket along the main support arms until the holes for the setting required are aligned.

- Reattach the bolts.

- WARNING THE LARGE SETTING IS FOR STRAW BALES ONLY**

- ENSURE** the adjustment of the implement is carried out by only one operator. There should not be any other people in the vicinity of the implement or in the tractor.

- WARNING** Care must be taken to avoid injury when adjusting the implement. Keep hands away from the area marked with a NO HANDS sticker.